

AQUATEC INDIA

CROSSING SEAS TO  
GIVE YOU THE BEST



📍 A103, Classic-Corner, 133 Hill Road, Bandra (West). Mumbai 400 050.

☎ +91-22-26410733 / 34 (INDIA) +1-732-2530093 (USA)

✉ sales@aquatecindia.in

🌐 www.aquatecindia.in





**BW 2 PT CABLE GLAND**



**Technical Details**

<b>Size</b>	: 20 mm to 90 mm S & L	<b>Material</b>	: Brass BS 2874 CZ121 Pb3.
<b>Standard</b>	: BS 6121	<b>Options Threads</b>	: METRIC, NPT, BSP & PG.
<b>IP Rating</b>	: IP30	<b>Finish</b>	: Natural Brass Finish, Nickel Finish.
<b>Application</b>	: Dry Indoor, for use with all types of SWA Cable.	<b>Operating Temp.</b>	: -80° C to + 600° C.
<b>Function</b>	: Provide mechanical Cable Retention & Electrical Wire continuity via Armoured Wire.	<b>Accessories</b>	: Matching Accessories available like PVC Shrouds, Lock Nuts & Earth Tag.

CODE NO.	GLAND SIZE	THREAD SIZE 'C'		MINIMUM LENGTH OF THREAD 'D'	CABLE RANGE	
		METRIC	NPT		MAX 'A'	MAX 'B'
AT-B2-20S	BW 20S	M20	½"	10	11.50	15.50
AT-B2-20	BW 20	M20	½"	10	14.00	20.50
AT-B2-25	BW 25	M25	¾"	10	20.00	27.20
AT-B2-32	BW 32	M32	1"	10	26.30	33.50
AT-B2-40	BW 40	M40	1¼"	15	32.00	40.00
AT-B2-50S	BW 50S	M50	1½"	15	38.20	46.30
AT-B2-50	BW 50	M50	2"	15	44.00	52.60
AT-B2-63S	BW 63S	M63	2"	15	50.10	59.00
AT-B2-63	BW 63	M63	2½"	15	56.00	65.30
AT-B2-75S	BW 75S	M75	2½"	15	62.00	71.60
AT-B2-75	BW 75	M75	3"	15	68.00	78.00
AT-B2-90	BW 90	M90	3"	20	80.50	91.00

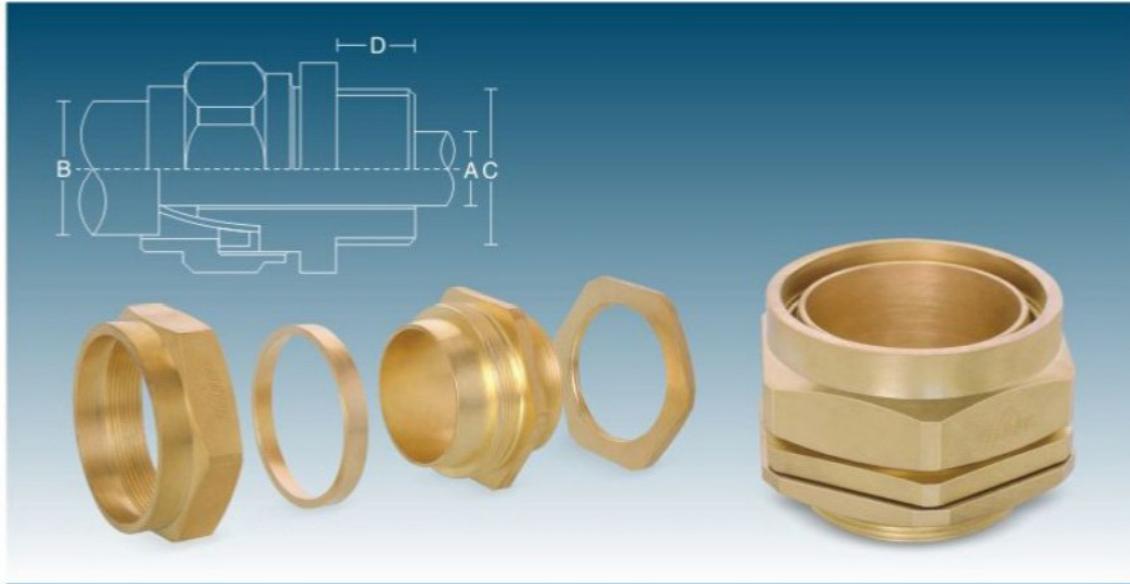
Also available in Kit Packing and as per the specification.

All Dimension are Millimeters



# Cable Glands

## BW 4 PT CABLE GLAND



Cable Glands

### Technical Details

<b>Size</b>	: 20 mm to 90 mm S & L	<b>Material</b>	: Brass BS 2874 CZ121 Pb3.
<b>Standard</b>	: BS 6121	<b>Options Threads</b>	: METRIC, NPT, BSP & PG.
<b>IP Rating</b>	: IP30	<b>Finish</b>	: Natural Brass Finish, Nickel Finish.
<b>Application</b>	: Dry Indoor, for use with all types of SWA Cable.	<b>Operating Temp.</b>	: -80° C to + 600° C.
<b>Function</b>	: Provide mechanical Cable Retention & Electrical Wire continuity via Armoured Wire.	<b>Accessories</b>	: Matching Accessories available like PVC Shrouds, Lock Nuts & Earth Tag.

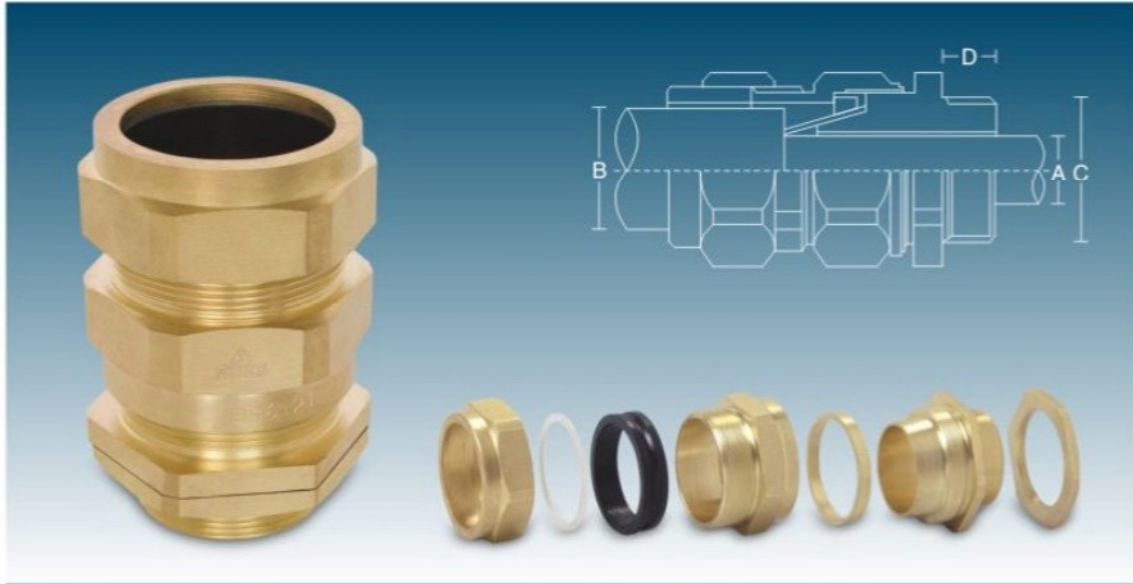
CODE NO.	GLAND SIZE	THREAD SIZE 'C'		MINIMUM LENGTH OF THREAD 'D'	CABLE RANGE	
		METRIC	NPT		MAX 'A'	MAX 'B'
AT-B4-20S	BW 20S	M20	½"	10	11.50	15.50
AT-B4-20L	BW 20L	M20	½"	10	14.00	20.50
AT-B4-25S	BW 25S	M25	¾"	10	18.00	24.00
AT-B4-25L	BW 25L	M25	¾"	10	20.00	27.20
AT-B4-32S	BW 32S	M32	1"	10	26.30	33.50
AT-B4-32L	BW 32L	M32	1"	10	26.30	33.50
AT-B4-40S	BW 40S	M40	1¼"	13	31.50	39.50
AT-B4-40L	BW 40L	M40	1¼"	13	32.00	40.00
AT-B4-50S	BW 50S	M50	1½"	13	38.20	46.30
AT-B4-50L	BW 50L	M50	2"	13	44.00	52.60
AT-B4-63S	BW 63S	M63	2"	14	50.10	59.00
AT-B4-63L	BW 63L	M63	2½"	14	56.00	65.30
AT-B4-75S	BW 75S	M75	2½"	15	62.00	71.60
AT-B4-75L	BW 75L	M75	3"	15	68.00	78.00
AT-B4-90S	BW 90S	M90	3"	18	80.50	91.00
AT-B4-90L	BW 90L	M90	3"	18	80.50	91.00

Also available in Kit Packing and as per the specification.

All Dimension are Millimeters



CW 4 PT TYPE CABLE GLAND



Technical Details

<b>Size</b>	: 20 mm to 90 mm S & L	<b>Material</b>	: Brass BS 2874 CZ121 Pb3.
<b>Standard</b>	: BS 6121	<b>Options Threads</b>	: METRIC, NPT, BSP & PG.
<b>IP Rating</b>	: IP66	<b>Finish</b>	: Natural Brass Finish, Nickel Finish.
<b>Application</b>	: For indoor or outdoor use with all types of SWA Cable.	<b>Operating Temp.</b>	: Standard seals -20° C to +80° C.
<b>Function</b>	: CW type glands provide a seal on the outer sheath and an armour specific armour clamp for armoured cable. The armour clamp provides an electrical bond armour cable and the gland.	<b>Accessories</b>	: Matching Accessories available like PVC Shrouds, Lock Nuts & Earth Tag.

CODE NO.	GLAND SIZE	THREAD SIZE 'C'		MINIMUM LENGTH OF THREAD 'D'	CABLE RANGE	
		METRIC	NPT		MAX 'A'	MAX 'B'
AT-C4-20S	CW 20S	M20	½"	10	11.50	15.50
AT-C4-20L	CW 20L	M20	½"	10	14.00	20.50
AT-C4-25S	CW 25S	M25	¾"	10	18.00	24.00
AT-C4-25L	CW 25L	M25	¾"	10	20.00	27.20
AT-C4-32S	CW 32S	M32	1"	10	26.30	33.50
AT-C4-32L	CW 32L	M32	1"	10	26.30	33.50
AT-C4-40S	CW 40S	M40	1¼"	13	31.50	39.50
AT-C4-40L	CW 40L	M40	1¼"	13	32.00	40.00
AT-C4-50S	CW 50S	M50	1½"	13	38.20	46.30
AT-C4-50L	CW 50L	M50	2"	13	44.00	52.60
AT-C4-63S	CW 63S	M63	2"	14	50.10	59.00
AT-C4-63L	CW 63L	M63	2½"	14	56.00	65.30
AT-C4-75S	CW 75S	M75	2½"	15	62.00	71.60
AT-C4-75L	CW 75L	M75	3"	15	68.00	78.00
AT-C4-90S	CW 90S	M90	3"	20	80.50	91.00
AT-C4-90L	CW 90L	M90	3"	20	80.50	91.00

Also available in Kit Packing and as per the specification.

All Dimension are Millimeters

# Cable Glands

## CW 3 PT TYPE CABLE GLAND



Cable Glands

### Technical Details

<b>Size</b>	: 20 mm to 90 mm S & L	<b>Material</b>	: Brass BS 2874 CZ121 Pb3.
<b>Standard</b>	: BS 6121	<b>Options Threads</b>	: METRIC, NPT, BSP & PG.
<b>IP Rating</b>	: IP66	<b>Finish</b>	: Natural Brass Finish, Nickel Finish.
<b>Application</b>	: For indoor or outdoor use with all types of SWA Cable.	<b>Operating Temp.</b>	: Standard seals -20° C to +80° C.
<b>Function</b>	: CW type glands provide a seal on the outer sheath and an armour specific armour clamp for armoured cable. The armour clamp provides an electrical bond armour cable and the gland.	<b>Accessories</b>	: Matching Accessories available like PVC Shrouds, Lock Nuts & Earth Tag.

CODE NO.	GLAND SIZE	THREAD SIZE 'C'		MINIMUM LENGTH OF THREAD 'D'	CABLE RANGE	
		METRIC	NPT		MAX 'A'	MAX 'B'
AT-C3-20S	CW 20S	M20	½"	10	11.50	15.50
AT-C3-20L	CW 20L	M20	½"	10	14.00	20.50
AT-C3-25S	CW 25S	M25	¾"	10	18.00	24.00
AT-C3-25L	CW 25L	M25	¾"	10	20.00	27.20
AT-C3-32S	CW 32S	M32	1"	10	26.30	33.50
AT-C3-32L	CW 32L	M32	1"	10	26.30	33.50
AT-C3-40S	CW 40S	M40	1¼"	15	31.50	39.50
AT-C3-40L	CW 40L	M40	1¼"	15	32.00	40.00
AT-C3-50S	CW 50S	M50	1½"	20	38.20	46.30
AT-C3-50L	CW 50L	M50	2"	20	44.00	52.60
AT-C3-63S	CW 63S	M63	2"	20	50.10	59.00
AT-C3-63L	CW 63L	M63	2½"	20	56.00	65.30
AT-C3-75S	CW 75S	M75	2½"	20	62.00	71.60
AT-C3-75L	CW 75L	M75	3"	20	68.00	78.00
AT-C3-90S	CW 90S	M90	3"	20	80.50	91.00
AT-C3-90L	CW 90L	M90	3"	20	80.50	91.00

Also available in Kit Packing and as per the specification.

All Dimension are Millimeters



CW 3 PT TYPE CABLE GLAND



Technical Details

- Size** : 20 mm to 90 mm S & L
- Standard** : BS 6121
- IP Rating** : IP66
- Application** : For indoor or outdoor use with all types of SWA Cable.
- Function** : CW type glands provide a seal on the outer sheath and an armour specific armour clamp for armoured cable. The armour clamp provides an electrical bond cable armour and the gland.
- Options Threads** : METRIC, NPT, BSP & PG.
- Finish** : Natural Brass Finish, Nickel Finish.
- Operating Temp.** : Standard seals -20° C to +80° C.
- Accessories** : Matching Accessories available like PVC Shrouds, Lock Nuts & Earth Tag.

CODE NO.	GLAND SIZE	THREAD SIZE 'C'		MINIMUM LENGTH OF THREAD 'D'	CABLE RANGE	
		METRIC	NPT		MAX 'A'	MAX 'B'
AT-CN-20S	CW 20S	M20	½"	10	11.80	15.80
AT-CN-20L	CW 20L	M20	½"	10	14.00	20.80
AT-CN-25S	CW 25S	M25	¾"	10	18.00	24.00
AT-CN-25L	CW 25L	M25	¾"	10	20.00	27.20
AT-CN-32S	CW 32S	M32	1"	10	24.50	31.00
AT-CN-32L	CW 32L	M32	1"	10	26.30	33.50
AT-CN-40S	CW 40S	M40	1¼"	15	30.40	38.50
AT-CN-40L	CW 40L	M40	1¼"	15	32.20	40.00
AT-CN-50S	CW 50S	M50	1½"	15	38.20	46.30
AT-CN-50L	CW 50L	M50	2"	15	44.00	52.60
AT-CN-63S	CW 63S	M63	2"	15	50.00	59.00
AT-CN-63L	CW 63L	M63	2½"	15	56.00	65.30
AT-CN-75S	CW 75S	M75	2½"	15	62.00	71.60
AT-CN-75L	CW 75L	M75	3"	15	68.00	78.00
AT-CN-90S	CW 90S	M90	3"	20	84.00	96.00
AT-CN-90L	CW 90L	M90	3"	20	84.00	102.00

Also available in Kit Packing and as per the specification.

All Dimension are Millimeters

# Cable Glands

## A2 CABLE GLAND



Cable Glands

### Technical Details

<b>Size</b>	: 20 mm to 100 mm S & L	<b>Material</b>	: Brass BS 2874 CZ121 Pb3.
<b>Standard</b>	: BS 6121	<b>Options Threads</b>	: METRIC, NPT, BSP & PG.
<b>IP Rating</b>	: IP66 & 68	<b>Finish</b>	: Natural Brass Finish, Nickel Finish.
<b>Application</b>	: Outdoor or Indoor for use with all types of Unarmoured Cable.	<b>Operating Temp.</b>	: Standard seals -20° C to +80° C.
<b>Function</b>	: A2 type glands provide a single pull resistant seal on the outer sheath of unarmoured cable.	<b>Accessories</b>	: Matching Accessories available like PVC Shrouds, Lock Nuts & Earth Tag.

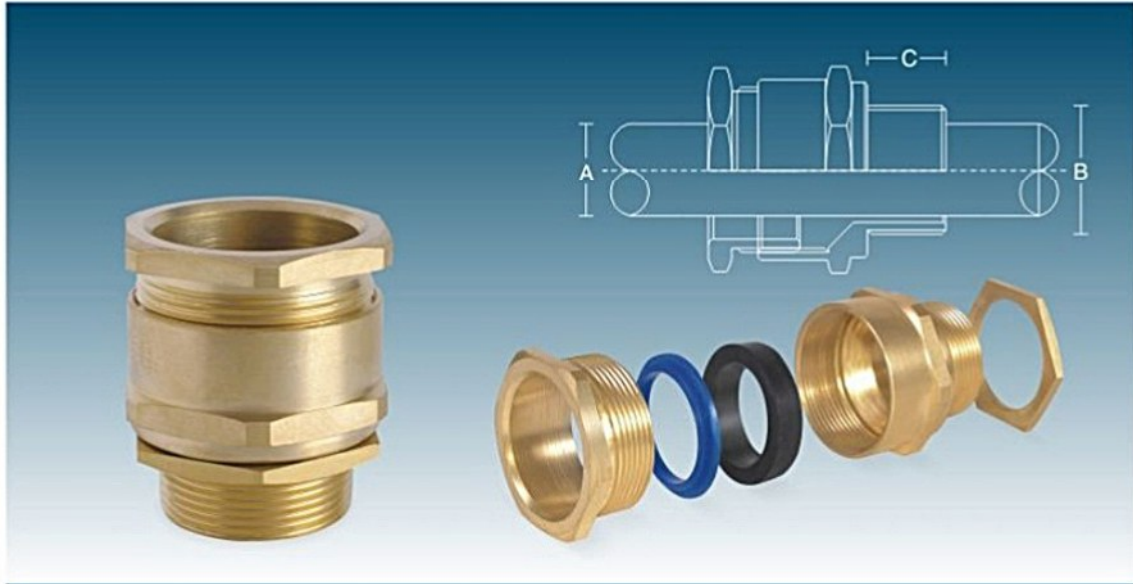
CODE NO.	GLAND SIZE	THREAD SIZE 'B'		MINIMUM LENGTH OF THREAD 'C'	CABLE RANGE 'A'	
		METRIC	NPT		MAX.	MIN.
AT-A2-20S	A2 20S	M20	½"	15	11.50	8.80
AT-A2-20L	A2 20L	M20	½"	15	14.50	11.40
AT-A2-25S	A2 25S	M25	¾"	15	16.00	13.00
AT-A2-25L	A2 25L	M25	¾"	15	20.30	17.30
AT-A2-32S	A2 32S	M32	1"	15	23.00	20.00
AT-A2-32L	A2 32L	M32	1"	15	26.20	24.20
AT-A2-40S	A2 40S	M40	1¼"	20	29.00	26.00
AT-A2-40L	A2 40L	M40	1¼"	20	34.00	29.50
AT-A2-50S	A2 50S	M50	1½"	20	41.00	33.00
AT-A2-50L	A2 50L	M50	2"	20	44.00	38.00
AT-A2-63S	A2 63S	M63	2"	20	51.50	44.00
AT-A2-63L	A2 63L	M63	2½"	20	56.50	50.00
AT-A2-75S	A2 75S	M75	2½"	20	63.20	56.00
AT-A2-75L	A2 75L	M75	3"	20	68.50	62.00
AT-A2-90L	A2 90L	M90	3"	20	80.00	65.00
AT-A2-100	A2 100	M100	3½"	25	90.00	82.00

Also available in Kit Packing and also as per the specification.

All Dimension are Millimeters



A1 A2 CABLE GLAND



Technical Details

<b>Size</b>	: 20 mm to 90 mm S & L	<b>Material</b>	: Brass BS 2874 CZ121 Pb3.
<b>Standard</b>	: BS 6121	<b>Options Threads</b>	: METRIC, NPT, BSP & PG.
<b>IP Rating</b>	: IP66 & 68	<b>Finish</b>	: Natural Brass Finish, Nickel Finish.
<b>Application</b>	: Outdoor or Indoor for use with all types of Unarmoured Cable.	<b>Operating Temp.</b>	: Standard seals -20° C to +80° C.
<b>Function</b>	: A2 type glands provide a single pull resistant seal on the outer sheath of unarmoured cable.	<b>Accessories</b>	: Matching Accessories available like PVC Shrouds, Lock Nuts & Earth Tag.

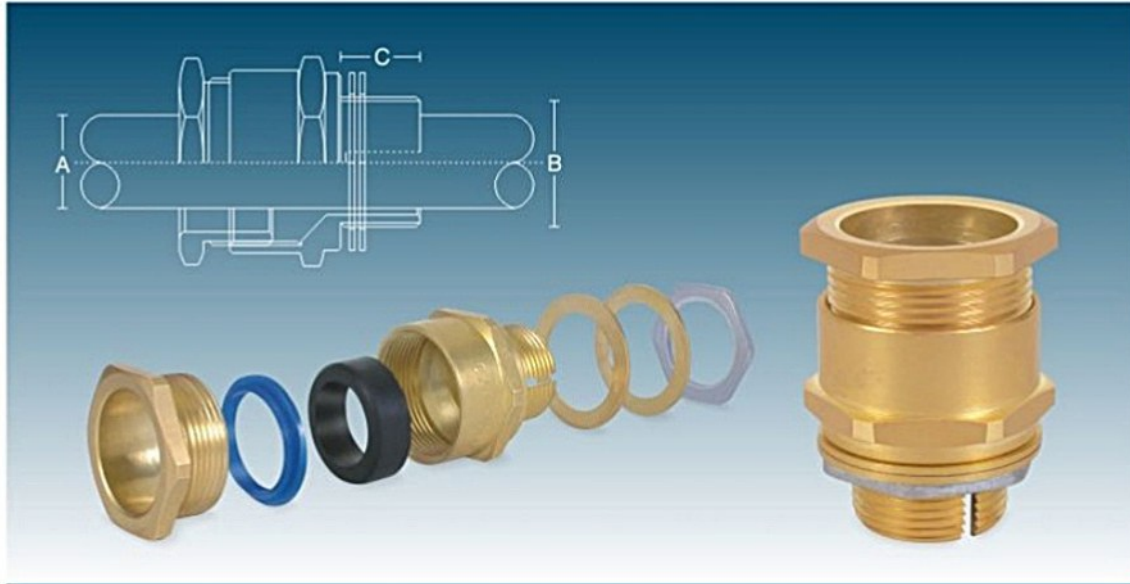
CODE NO.	GLAND SIZE	THREAD SIZE 'B'		MINIMUM LENGTH OF THREAD 'C'	CABLE RANGE 'A'	
		METRIC	NPT		MAX.	MIN.
AT-A1-20S	A1/A2 20S	M20	½"	10	11.50	8.00
AT-A1-20L	A1/A2 20L	M20	½"	10	13.50	11.00
AT-A1-25S	A1/A2 25S	M25	¾"	10	16.50	13.00
AT-A1-25L	A1/A2 25L	M25	¾"	10	19.50	16.00
AT-A1-32L	A1/A2 32L	M32	1"	10	25.50	19.00
AT-A1-40S	A1/A2 40S	M40	1¼"	15	29.00	23.00
AT-A1-40L	A1/A2 40L	M40	1¼"	15	32.00	25.00
AT-A1-50S	A1/A2 50S	M50	1½"	15	37.00	31.50
AT-A1-50L	A1/A2 50L	M50	2"	15	43.00	36.50
AT-A1-63S	A1/A2 63S	M63	2"	15	50.00	42.50
AT-A1-63L	A1/A2 63L	M63	2½"	15	55.00	49.50
AT-A1-75S	A1/A2 75S	M75	2½"	15	61.00	54.50
AT-A1-75L	A1/A2 75L	M75	3"	15	67.00	60.50
AT-A1-90	A1/A2 90	M90	3"	20	78.00	65.00

Also available in Kit Packing and as per the specification.

All Dimension are Millimeters

# Cable Glands

## A2 CXT CABLE GLAND



Cable Glands

### Technical Details

<b>Size</b>	: 20 mm to 90 mm S & L	<b>Material</b>	: Brass BS 2874 CZ121 Pb3.
<b>Standard</b>	: BS 6121	<b>Options Threads</b>	: METRIC, NPT, BSP & PG.
<b>IP Rating</b>	: IP66 & 68	<b>Finish</b>	: Natural Brass Finish, Nickel Finish.
<b>Application</b>	: Outdoor or Indoor for use with all types of Unarmoured Cable.	<b>Operating Temp.</b>	: Standard seals -20° C to +80° C.
<b>Function</b>	: A2 CXT type glands provide a single pull resistant seal on the outer sheath of unarmoured cable.	<b>Accessories</b>	: Matching Accessories available like PVC Shrouds, Lock Nuts & Earth Tag.

CODE NO.	GLAND SIZE	THREAD SIZE 'B'		MINIMUM LENGTH OF THREAD 'C'	CABLE RANGE 'A'	
		METRIC	NPT		MAX.	MIN.
AT-CXT-20S	A2 CXT 20S	M20	½"	10	11.50	8.00
AT-CXT-20L	A2 CXT 20L	M20	½"	10	13.50	11.00
AT-CXT-25S	A2 CXT 25S	M25	¾"	10	16.50	13.00
AT-CXT-25L	A2 CXT 25L	M25	¾"	10	19.50	16.00
AT-CXT-32L	A2 CXT 32L	M32	1"	10	25.50	19.00
AT-CXT-40S	A2 CXT 40S	M40	1¼"	15	29.00	23.00
AT-CXT-40L	A2 CXT 40L	M40	1¼"	15	32.00	25.00
AT-CXT-50S	A2 CXT 50S	M50	1½"	15	37.00	31.50
AT-CXT-50L	A2 CXT 50L	M50	2"	15	43.00	36.50
AT-CXT-63S	A2 CXT 63S	M63	2"	15	50.00	42.50
AT-CXT-63L	A2 CXT 63L	M63	2½"	15	55.00	49.50
AT-CXT-75S	A2 CXT 75S	M75	2½"	15	61.00	54.50
AT-CXT-75L	A2 CXT 75L	M75	3"	15	67.00	60.50
AT-CXT-90	A2 CXT 90	M90	3"	20	78.00	65.00

Also available in Kit Packing and as per the specification.

All Dimension are Millimeters



E1W TYPE CABLE GLAND



Technical Details

<b>Size</b>	: 20 mm to 100 mm S & L	<b>Material</b>	: Brass BS 2874 CZ121 Pb3.
<b>Standard</b>	: BS 6121	<b>Options Threads</b>	: METRIC, NPT, BSP & PG.
<b>IP Rating</b>	: IP66 & 67	<b>Finish</b>	: Natural Brass Finish, Nickel Finish.
<b>Application</b>	: For indoor or outdoor use with all types of SWA Cable.	<b>Operating Temp.</b>	: Standard seals -20° C to + 80° C.
<b>Function</b>	: E1W type glands provide a seal on the inner sheath, a seal on the outer sheath and an armour specific armour clamp for armoured cable. The armour clamp provides an electrical bond between the armour cable and the gland.	<b>Accessories</b>	: Matching Accessories available like PVC Shrouds, Lock Nuts & Earth Tag.

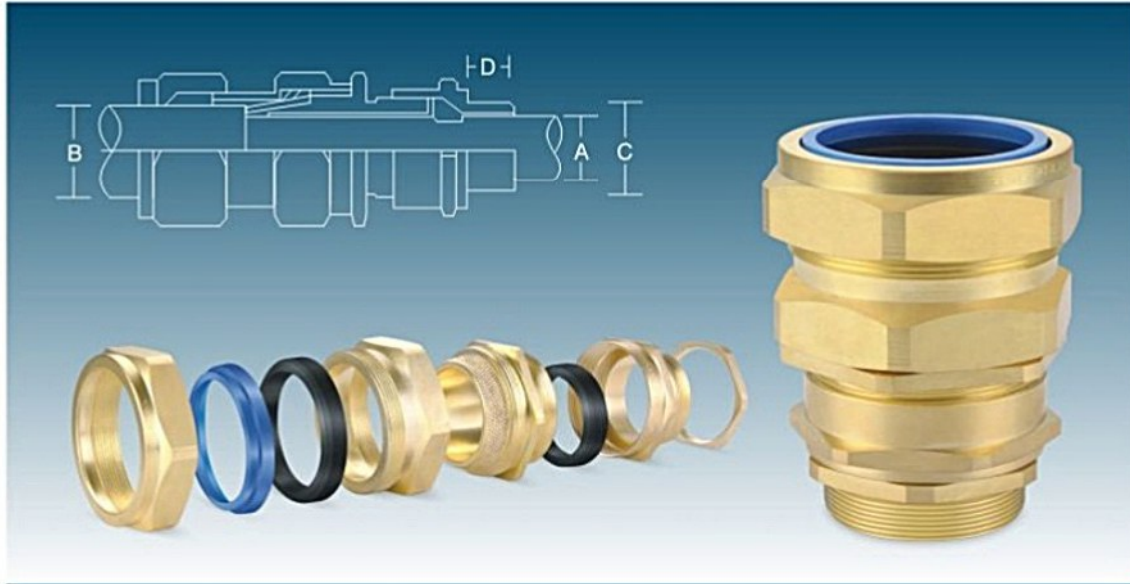
CODE NO.	GLAND SIZE	THREAD SIZE 'C'		MINIMUM LENGTH OF THREAD 'D'	CABLE RANGE 'A'		CABLE RANGE 'B'	
		METRIC	NPT		MIN.	MAX.	MIN.	MAX.
AT-E1-20S	E1W 20S	M20	½"	15	8.80	11.70	11.80	16.00
AT-E1-20L	E1W 20L	M20	½"	15	11.40	14.00	14.00	20.80
AT-E1-25S	E1W 25S	M25	¾"	15	13.00	16.00	18.00	24.00
AT-E1-25L	E1W 25L	M25	¾"	15	17.30	20.00	20.30	27.40
AT-E1-32S	E1W 32S	M32	1"	10	20.00	23.00	24.50	31.00
AT-E1-32L	E1W 32L	M32	1"	15	24.20	26.30	26.50	33.50
AT-E1-40S	E1W 40S	M40	1¼"	15	26.00	29.00	30.40	36.00
AT-E1-40L	E1W 40L	M40	1¼"	15	29.50	32.10	33.20	40.00
AT-E1-50S	E1W 50S	M50	1½"	15	33.00	38.10	40.00	46.50
AT-E1-50L	E1W 50L	M50	2"	15	38.00	44.00	44.00	52.60
AT-E1-63S	E1W 63S	M63	2"	20	44.00	50.50	50.00	59.00
AT-E1-63L	E1W 63L	M63	2½"	20	50.00	56.00	56.00	66.00
AT-E1-75S	E1W 75S	M75	2½"	20	56.00	62.00	63.50	71.00
AT-E1-75L	E1W 75L	M75	3"	20	62.00	68.50	69.00	78.00
AT-E1-90	E1W 90	M90	3"	20	65.00	80.00	84.00	96.00
AT-E1-100	E1W 100	M100	3½"	20	82.00	90.00	84.00	102.00

Also available in Kit Packing and as per the specification.

All Dimension are Millimeters

# Cable Glands

## E1FW TYPE CABLE GLANDS



Cable Glands

### Technical Details

<b>Size</b>	: 20 mm to 100 mm S & L	<b>Material</b>	: Brass BS 2874 CZ121 Pb3.
<b>Standard</b>	: BS 6121	<b>Options Threads</b>	: METRIC, NPT, BSP & PG.
<b>IP Rating</b>	: IP66 & 67	<b>Finish</b>	: Natural Brass Finish, Nickel Finish.
<b>Application</b>	: For indoor or outdoor use with all types of SWA Cable.	<b>Operating Temp.</b>	: Standard seals -20° C to + 80° C.
<b>Function</b>	: E1FW type glands provide a seal on the inner sheath, a seal on the outer sheath and armour specific armour clamp for armoured cable. The armour clamp provides an electrical bond between the armour cable and the gland.	<b>Accessories</b>	: Matching Accessories available like PVC Shrouds, Lock Nuts & Earth Tag.

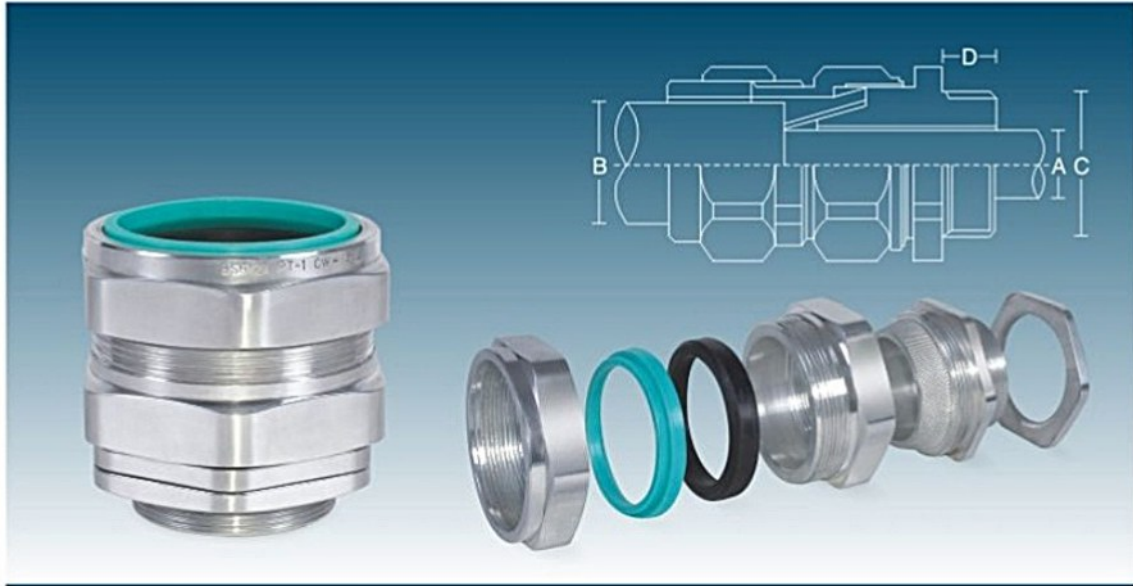
CODE NO.	GLAND SIZE	THREAD SIZE 'C'		MINIMUM LENGTH OF THREAD 'D'	CABLE RANGE 'A'		CABLE RANGE 'B'	
		METRIC	NPT		MIN.	MAX.	MIN.	MAX.
AT-E1F-20S	E1FW 20S	M20	½"	15	8.80	11.70	11.80	15.80
AT-E1F-20L	E1FW 20L	M20	½"	15	11.40	14.00	14.00	20.80
AT-E1F-25L	E1FW 25L	M25	¾"	15	17.30	20.00	20.30	27.40
AT-E1F-32L	E1FW 32L	M32	1"	15	24.20	26.30	26.50	33.50
AT-E1F-40L	E1FW 40L	M40	1¼"	15	29.50	32.20	33.20	40.00
AT-E1F-50S	E1FW 50S	M50	1½"	15	33.00	38.20	40.00	46.30
AT-E1F-50L	E1FW 50L	M50	2"	15	38.00	44.00	44.00	52.60
AT-E1F-63S	E1FW 63S	M63	2"	15	44.00	50.10	50.00	59.00
AT-E1F-63L	E1FW 63L	M63	2½"	15	50.00	56.00	56.00	65.30
AT-E1F-75S	E1FW 75S	M75	2½"	15	56.00	62.00	63.50	71.60
AT-E1F-75L	E1FW 75L	M75	3"	15	62.00	68.00	69.00	78.00
AT-E1F-90	E1FW 90	M90	3"	20	65.00	80.00	84.00	96.00
AT-E1F-100	E1FW 100	M100	3½"	20	82.00	90.00	84.00	102.00

Also available in Kit Packing and as per the specification.

All Dimension are Millimeters



ALUMINIUM CABLE GLANDS



Technical Details

<b>Size</b>	: 20 mm to 90 mm S & L	<b>Material</b>	: Aluminium
<b>Standard</b>	: BS 6121	<b>Options Threads</b>	: METRIC, NPT, BSP & PG.
<b>IP Rating</b>	: IP66	<b>Finish</b>	: Natural Aluminium Finish.
<b>Application</b>	: For indoor or outdoor use with all types of SWA Cable.	<b>Operating Temp.</b>	: Standard seals -20° C to +80° C.
<b>Function</b>	: CW type glands provide a seal on the outer sheath and an armour specific armour clamp for armoured cable. The armour clamp provides an electrical bond armour cable and the gland.	<b>Accessories</b>	: Matching Accessories available like PVC Shrouds, Lock Nuts & Earth Tag.

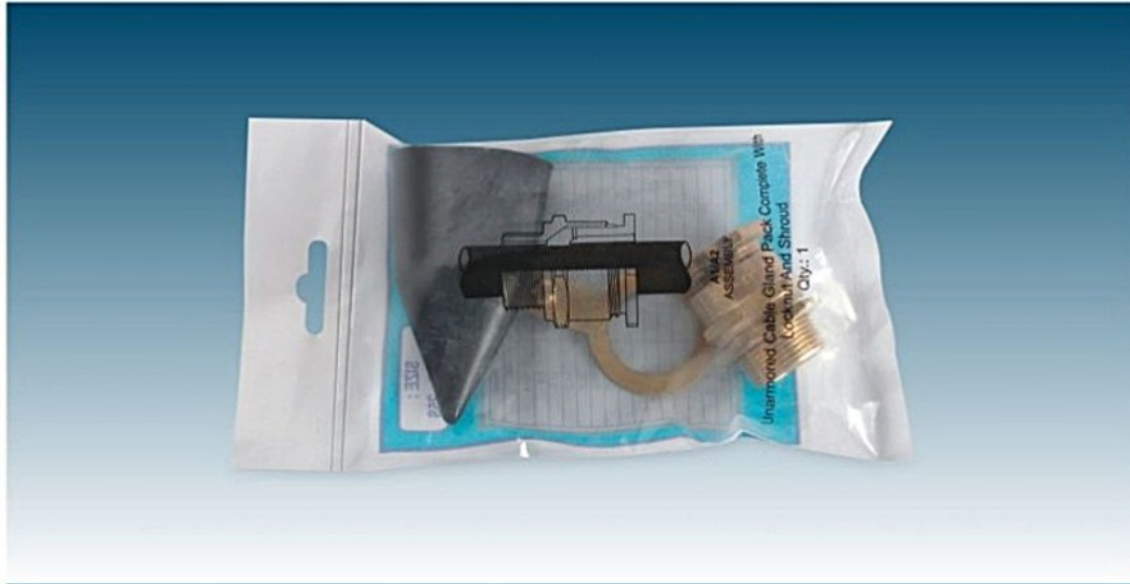
CODE NO.	GLAND SIZE	THREAD SIZE 'C'		MINIMUM LENGTH OF THREAD 'D'	CABLE RANGE	
		METRIC	NPT		MAX 'A'	MAX 'B'
AT-C3 AL-20S	CW 20S	M20	½"	10	11.80	15.80
AT-C3 AL-20L	CW 20L	M20	½"	10	14.00	20.80
AT-C3 AL-25S	CW 25S	M25	¾"	10	18.00	24.00
AT-C3 AL-25L	CW 25L	M25	¾"	10	20.00	27.20
AT-C3 AL-32S	CW 32S	M32	1"	10	24.50	31.00
AT-C3 AL-32L	CW 32L	M32	1"	10	26.30	33.50
AT-C3 AL-40S	CW 40S	M40	1¼"	15	30.40	38.50
AT-C3 AL-40L	CW 40L	M40	1¼"	15	32.20	40.00
AT-C3 AL-50S	CW 50S	M50	1½"	15	38.20	46.30
AT-C3 AL-50L	CW 50L	M50	2"	15	44.00	52.60
AT-C3 A-63S	CW 63S	M63	2"	15	50.00	59.00
AT-C3 AL-63L	CW 63L	M63	2½"	15	56.00	65.30
AT-C3 AL-75S	CW 75S	M75	2½"	15	62.00	71.60
AT-C3 AL-75L	CW 75L	M75	3"	15	68.00	78.00
AT-C3 AL-90S	CW 90S	M90	3"	20	84.00	96.00
AT-C3 AL-90L	CW 90L	M90	3"	20	84.00	102.00

Also available in Kit Packing and as per the specification.

All Dimension are Millimeters

# Cable Glands

## CABLE GLAND KIT



Cable Glands

## GLAND SELECTION CHART

CABLE SIZE CONDUCTOR	NUMBERS OF CORES													
	No. of Area mm <sup>2</sup>	1	2	3	3½	4	5	7	10	12	19	27	37	48
1.5	-	-	16	16	-	20s	20s	20s	20	20	25s	25	32	32
2.5	-	-	20s	20s	-	20s	20	20	25s	25s	25	32	32	40
4	-	-	20s	20	-	20	20s	25s	25	32	32	40		
6	-	-	20	20	-	20								
10	-	-	20	20	-	25s								
16	-	-	25s	25	-	25								
25	16	-	25s	25	32	32								
35	16	-	25	32	32	32								
50	25	25s	32	32	40	40								
70	35	25s	32	40	40	40								
95	50	25	40	40	50s	50s								
120	70	32	40	50s	50	50								
150	70	32	50s	50	50	63s								
185	95	32	50	50	63s	63								
240	120	40	50	63s	63	75s								
300	150	40	63s	63	75s	75								
300	185	-	-	-	75	-								
400	185	50s	63	75s	90s	90s								
500	-	50s	-	-	-	-								
630	-	50	-	-	-	-								
800	-	63s	-	-	-	-								
1000	-	63	-	-	-	-								





E1FW EX CABLE GLANDS



**MANUFACTURING SPECIFICATION**

Name	Part Name	Material	Name	Part Name	Material
1	Gland Body	Brass	7	Outer Sealing	Silicone/NBR
2	Inner Sealing	Silicone/NBR	8	Cable Nut	Brass
3	Inner Washer	Brass	9	Protection Tube	Nylon
4	Ring Body	Brass	10	Lock Nut	Brass
5	Body	Brass	11	Thread Seals	Nylon
6	Armoured Ring	Brass	12	Earth Tag	Brass

Technical Details

**GENERAL SPECIFICATION & AREA CLASSIFICATION :**

1. Group-II, Category-2 (zone 1) gas group IIC conform to EN 60079-0:2009 & EN 60079-1:2007.
2. Electrical apparatus for use in dust for zone 21 & 22 as per EN 60079-31:2009.
3. Degree of protection IP67 as per EN 60529:1991

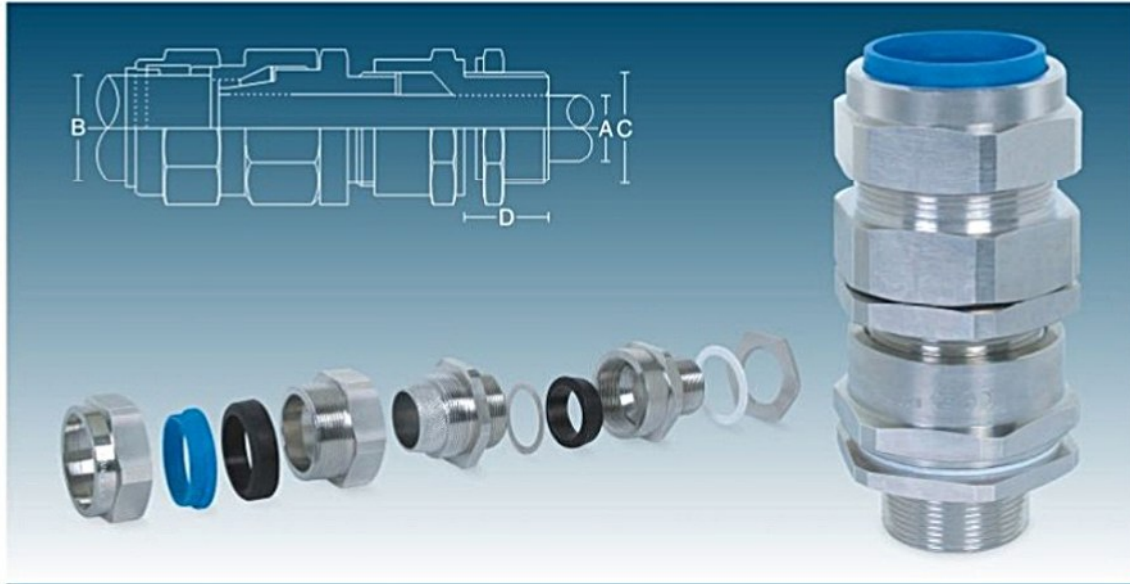
**DECLARATION :**

<b>GLAND MARKING</b>	The cable gland will be marked with	
<b>OPTIONS</b>	<b>Material :</b>	Material of construction of cable gland IS BRASS/SS304/SS316/MS <b>Brass:</b> BS 2874 CZ121 / IS 319 gr.1 /SS: ASTM A314 gr. 304/304
	<b>Threads :</b>	Isometric (ISO) ISO:965 - 1 & 965 - 3, BS:3643 National Pipe Thread (NPT)-ANSI / ASME B1.20.1 Imperial (ET) - BS 31:1940 British Standard Pipe (BSP) - BS 2779
	<b>Surface plating :</b>	Nickel / Chrome and Brass finish
<b>OPERATING TEMPERATURE</b>	The cable sealing washer (elastomeric sealing ring) used and is suitable for operating temperature -20°C ≤ Ta. ≤ +100°C	
<b>OPTIONAL ACCESSORIES</b>	Earth Tag, Serrated Washer & PVC / LSF Shrouds.	

**NOTE :** - The cable glands are suitable for SWA (Steel Wire Armoured), steel tape armoured and braid wire cable.  
 - 'W' - refer to the wire diameter in a steel tape armoured cable.  
 - 'XYZ' - refer to the wire diameter in a steel tape armoured cable or braid wire cable.

# Cable Glands

## E1FW EX CABLE GLANDS



Cable Glands

### Technical Details

CODE NO.	STANDARD ENTRY THREADS OTHER OPTIONS/SIZE (C)			THREAD LENGTH 'D'			CABLE DIMEN. (MM)				ARMOUR ACCEPTANCE RANGE	
	METRIC (ISO)	NPT/ BSP	ET	METRIC (ISO)	NPT/ BSP	ET	CABLE DIA (A)		CABLE DIA (B)		W	XYZ
AT-E1FW Ex d-20S	M20	½"	¾"	15	19	16.5	6.1	11.6	9.5	15.9	0.90/1.25	0.15/0.35
AT-E1FW Ex d-20	M20	½"	¾"	15	19	16.5	6.5	13.9	12.5	20.9	0.90/1.25	0.15/0.50
AT-E1FW Ex d-25	M25	¾"	1"	15	20	16.5	11.1	19.9	17	26.2	1.25/1.60	0.15/0.50
AT-E1FW Ex d-32	M32	1"	1¼"	15	22	16.5	17	26.2	22.9	33.9	1.60/2.00	0.15/0.55
AT-E1FW Ex d-40	M40	1¼"	1½"	15	22	16.5	22	32.1	26	40.4	1.60/2.00	0.20/0.60
AT-E1FW Ex d-50S	M50	1½"	2"	20	22	20	29.5	38.1	35	46.7	2.00/2.5	0.20/0.60
AT-E1FW Ex d-50	M50	2"	2"	20	22	20	35.6	44	38	53.1	2.00/2.5	0.30/0.80
AT-E1FW Ex d-63S	M63	2"	2½"	20	22	20	40.1	49.9	45.6	59.4	2.50	0.30/0.80
AT-E1FW Ex d-63	M63	2½"	2½"	20	29	20	47.2	55.9	54.6	65.9	2.50	0.30/0.80
AT-E1FW Ex d-75S	M75	2½"	3"	20	29	20	52.8	61.9	57	72.1	2.50	0.30/1.00
AT-E1FW Ex d-75	M75	3"	3"	20	29	20	59.1	67.9	60.4	78.5	2.50	0.30/1.00
AT-E1FW Ex d-90	M90	3"	3½"	20	29	20	66.6	79.3	69.2	90.4	3.15	0.45/1.00

All Dimension are Millimeters





# Cable Glands

## IP68 CABLE GLANDS



Cable Glands

### Technical Details

#### Application

Cable glands are used to insert a cable into a cabinet.

At the same time a high degree of protection (IP68) of the cabinet will be remained additionally to a strain relief.

Functions of cable gland can be grounding, connection, insulation, sealing, relief, or a combination.

#### Fundamentals

Metric and PG Cable gland ensures continuous contacting without gaps. The cap and the insert are simply pushed on to the lead.

The exposed cable shield is folded around the insert, and the glands body is then pushed on.

screw-fitting of the cap ensures that cable shield is pressed over a large surface between the torsion - protected insert and the glands body.

The Result is a very good metal contact area of the cable shield via the gland body to the housing protected from external environmental influences.

MANUFACTURING SPECIATION		
NO	PART NAME	MATERIAL
1	Gland Cap	Brass, Nickel - Plated
2	Insert	Polymide PA6
3	Rubber Seal	EPDM
4	Gland Body	Brass, Nickel - Plated
5	'O' - Ring	NBR
6	Hexagonal Lock Nut	Brass, Nickel - Plated

**Temperature Range : -20°C to +120°C**



PG CABLE GLAND



Technical Details

Size	: PG 7 to PG 48	Material	: Brass BS 2874 CZ121 Pb 3.
Standard	: BS EN50262 : 1999	Options Threads	: PG
Ingress Protection	: IP68	Finish	: Nickel Finish
Operating Temp.	: -20°C to +120°C	Accessories	: Matching Accessories available like Lock Nuts & 'O' Ring.

CODE NO.	THREAD SIZE (A)	ENTRY THREAD LENGTH (B)	C	A/F	A/C	CABLE CLAMPING RANGE $\phi$ (MIN - MAX) MM	TIGHTENING TORQUE IN Nm	INSTALLATION TORQUE IN Nm	IMPACT TEST CATEGORY
AT-CEP-7	PG 7	6.00	7.00	14.00	15.50	3 - 6.5	0.10	6.25	3
AT-CEP-7-1	PG 7	6.00	7.00	14.00	15.50	2 - 5	0.10	6.25	3
AT-CEP-9	PG 9	7.00	8.50	17.00	19.00	4 - 8	0.10	6.25	3
AT-CEP-9-1	PG 9	7.00	8.50	17.00	19.00	2 - 6	0.10	6.25	3
AT-CEP-11	PG 11	7.00	10.50	20.00	22.00	5 - 10	0.15	6.25	3
AT-CEP-11-1	PG 11	7.00	10.50	20.00	22.00	3 - 7	0.10	6.25	3
AT-CEP-13	PG 13.5	7.00	12.50	22.00	24.50	6 - 12	0.35	6.25	3
AT-CEP-13-1	PG 13.5	7.00	12.50	22.00	24.50	5 - 9	0.15	6.25	3
AT-CEP-16	PG 16	6.50	14.50	24.00	26.50	10 - 14	0.35	7.50	3
AT-CEP-16-1	PG 16	6.50	14.50	24.00	26.50	7 - 12	0.35	7.50	3
AT-CEP-21	PG 21	8.00	18.50	31.00	34.00	13 - 18	0.60	10.00	4
AT-CEP-21-1	PG 21	8.00	18.50	31.00	34.00	9 - 16	0.35	10.00	4
AT-CEP-29	PG 29	9.00	25.50	40.00	44.50	18 - 25	0.80	10.00	4
AT-CEP-29-1	PG 29	9.00	25.50	40.00	44.50	13 - 20	0.60	10.00	4
AT-CEP-36	PG 36	10.00	33.00	50.00	55.00	25 - 32	0.90	10.00	5
AT-CEP-36-1	PG 36	10.00	33.00	50.00	55.00	20 - 26	0.80	10.00	5
AT-CEP-42	PG 42	11.00	39.00	55.00	60.00	32 - 38	0.90	10.00	5
AT-CEP-42-1	PG 42	11.00	39.00	55.00	60.00	25 - 31	0.80	10.00	5
AT-CEP-48	PG 48	13.00	46.00	65.00	70.50	37 - 44	1.00	10.00	5
AT-CEP-48-1	PG 48	13.00	46.00	65.00	70.50	29 - 35	0.90	10.00	5

All Dimension are Millimeters



# Cable Glands

## METRIC CABLE GLAND



Cable Glands

### Technical Details

Size	: M 12 to M 63	Material	: Brass BS 2874 CZ121 Pb 3.
Standard	: BS EN50262 : 1999	Options Threads	: Metric
Ingress Protection	: IP68	Finish	: Nickel Finish
Operating Temp.	: -20°C to +120°C	Accessories	: Matching Accessories available like Lock Nuts & 'O' Ring.

CODE NO.	THREAD SIZE (A)	ENTRY THREAD LENGTH (B)	C	A/F	A/C	CABLE CLAMPING RANGE $\phi$ (MIN - MAX) MM	TIGHTENING TORQUE IN Nm	INSTALLATION TORQUE IN Nm	IMPACT TEST CATEGORY
AT-CEM12	M 12	5.00	7.00	14.00	15.50	3 - 6.5	0.10	8	3
AT-CEM12-1	M 12	5.00	7.00	14.00	15.50	2 - 5	0.10	8	3
AT-CEM16	M 16	8.00	9.50	18.00	19.50	4 - 8	0.10	10	3
AT-CEM16-1	M 16	8.00	9.50	18.00	19.50	2 - 6	0.10	10	3
AT-CEM20	M 20	7.00	12.50	22.00	24.50	6 - 12	0.35	12	3
AT-CEM20-1	M 20	7.00	12.50	22.00	24.50	5 - 9	0.15	12	3
AT-CEM25	M 25	8.00	18.50	31.00	34.00	13 - 18	0.60	12	4
AT-CEM25-1	M 25	8.00	18.50	31.00	34.00	9 - 16	0.35	12	4
AT-CEM32	M 32	9.50	25.50	40.00	44.50	18 - 25	0.80	18	4
AT-CEM32-1	M 32	9.50	25.50	40.00	44.50	13 - 20	0.60	18	4
AT-CEM40	M 40	10.00	33.00	50.00	55.00	25 - 32	0.90	18	5
AT-CEM40-1	M 40	10.00	33.00	50.00	55.00	20 - 26	0.80	18	5
AT-CEM50	M 50	13.00	39.00	55.00	60.00	32 - 38	0.90	20	5
AT-CEM50-1	M 50	13.00	39.00	55.00	60.00	25 - 31	0.80	20	5
AT-CEM63	M 63	10.50	46.00	65.00	70.50	37 - 44	1.00	20	5
AT-CEM63-1	M 63	10.50	46.00	65.00	70.50	29-35	0.90	20	5

All Dimension are Millimeters

IP68 CABLE GLANDS



Technical Details

Specification: Item Brass IP68 Universal Cable Gland.

ITEMS CODE	THREAD
Material	Technical Information
Nickel Plated Brass	Body with Lock Nuts
Polyamide - 6	Insert
Neoprene	Sealing Ring
Perbunan	'O' - Ring

Additional Features :

- With Vibration Lock and Strain Relief Protection Class IP68 - 5 Bar.
- Temperature Range : -30° to +80° C

Cable Glands are suitable for connections provides with flexible cables in:

- Weather Proof Enclosures
- Limit Switches
- Multi Pin Connectors
- Controlling & Liquid Measuring Instrument
- Machineries
- Medical Equipments
- Electric Motors

We can manufacture up to M90 with clamping range from 60 to 75 mm.

Design and other specifications can be changed as per the customer's requirements.

We manufacture other types of Accessories also and according to specifications, drawing and samples.

CODE NO.	GLAND SIZE	CLAMPING RANGE	THREAD LENGTH (IN MM)
AT-PG8-7	PG-7	2-6.50	6
AT-PG8-9	PG-9	3-8.00	6
AT-PG8-11	PG-11	4-10.00	6
AT-PG8-13.5	PG-13.5	5-12.00	8
AT-PG8-16	PG-16	8-14.00	8
AT-PG8-21	PG-21	11-18.00	8
AT-PG8-29	PG-29	16-25.00	9
AT-PG8-36	PG-36	20-30.00	9
AT-PG8-42	PG-42	28-38.00	12
AT-PG8-48	PG-48	34-44.00	12
AT-PG8-12	M12	2-6.50	6
AT-PG8-16	M16	3-8.00	6
AT-PG8-20	M20	5-12.00	8
AT-PG8-25	M25	11-18.00	8
AT-PG8-32	M32	12-21.00	8
AT-PG8-40	M40	18-27.00	9
AT-PG8-50	M50	27-33.00	9
AT-PG8-63	M63	34-48.00	12

All Dimension are Millimeters



# Cable Glands

## PG CABLE GLANDS WITH IP54 PROTECTION



Cable Glands

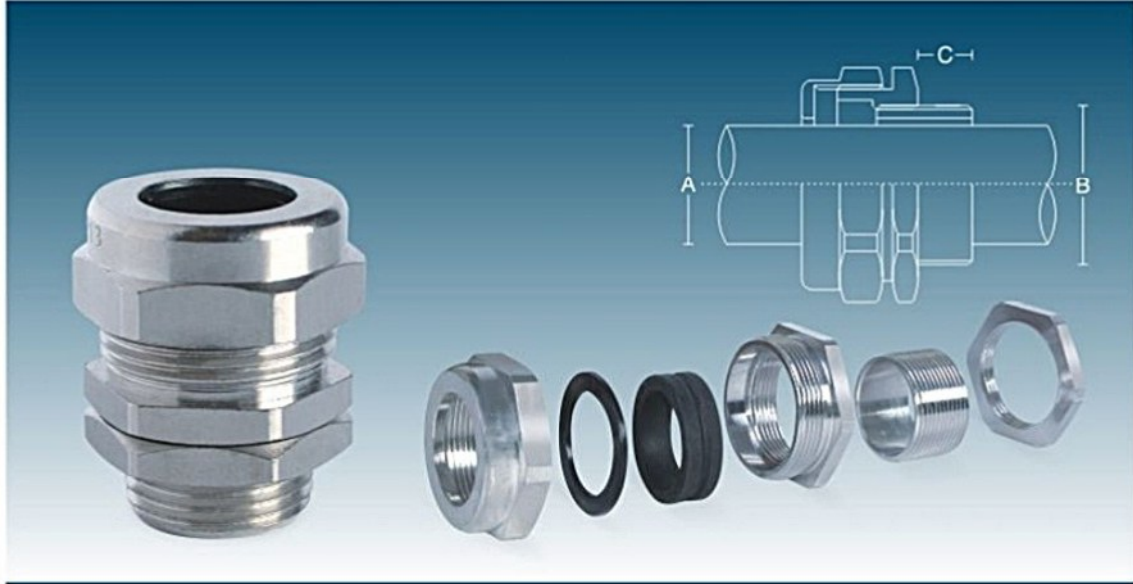
### Technical Details

<b>Size</b>	: PG 7 to PG 48 & M 12 to M 63	<b>Thread</b>	: PG and also available in Metric Threads.
<b>Application</b>	: Outdoor or Indoor for use all types of Unarmoured cable.	<b>Seals</b>	: Solid & Grommet Rubber.
<b>Function</b>	: Provide for Seal on Outer Sheath of the Unarmoured Cable.	<b>Operating Temp.</b>	: -20° C to +80° C
<b>Ingress Protection</b>	: IP54	<b>Accessories</b>	: Matching Accessories available like PVC Shrouds, Lock Nuts, Earth Tag, Reducers, Adaptors, etc. as per the requirement.
<b>Material</b>	: Brass BS 2874 CZ121 Pb3		
<b>Finish</b>	: Brass Finish, Nickel Finish.		

CODE NO.	GLAND SIZE		CABLE RANGE 'A'		THREAD SIZE 'B'		THREAD LENGTH 'C' (IN MM)
	PG	METRIC	MIN.	MAX.	PG	METRIC	
AT-PG4-7	PG7	M12	4.00	6.00	PG7	M12	5.00
AT-PG4-9	PG9	M16	6.00	10.00	PG9	M16	6.00
AT-PG4-11	PG11	-	8.00	10.00	PG11	-	6.50
AT-PG4-13.5	PG13.5	M20	10.00	12.00	PG13.5	M20	7.10
AT-PG4-16	PG16	-	11.00	14.00	PG16	-	6.50
AT-PG4-21	PG21	M25	14.00	18.00	PG21	M25	7.10
AT-PG4-29	PG29	M32	18.00	25.00	PG29	M32	8.50
AT-PG4-36	PG36	M40	25.00	32.00	PG36	M40	10.00
AT-PG4-42	PG42	M50	30.00	38.00	PG42	M50	10.00
AT-PG4-48	PG48	M63	33.00	42.50	PG48	M63	10.00

All Dimension are Millimeters

A2 COMPRESSION TYPE CABLE GLAND



Technical Details

Size	: 00 to 7	Material	: Brass 2874 CZ121 Pb3
IP Rating	: IP66	Options Threads	: Metric
Application	: A2 Compression Type Cable Glands can be used indoors or outdoors, on all "unarmoured" cable.	Finish	: Natural Brass Finish , Nickel Finish
		Operating Temp.	: Standard Seals -20° C to +80° C
		Accessories	: Matching Accessories Available like PVC Shrouds , Lock Nuts & Earth Tag.

CODE NO.	GLAND SIZE	THREAD SIZE 'B' METRIC	MINIMUM LENGTH OF THREAD 'C'	CABLE RANGE 'A'	
				MAX	MAX
AT-CA2-00	00	M20	10	3.00	7.00
AT-CA2-0	0	M20	10	7.00	10.00
AT-CA2-1	1	M20	10	10.00	14.50
AT-CA2-2	2	M25	10	14.50	20.50
AT-CA2-3	3	M32	10	20.50	26.50
AT-CA2-4	4	M40	10	26.50	34.50
AT-CA2-5	5	M50	15	34.50	43.50
AT-CA2-6	6	M63	18	43.50	56.00
AT-CA2-7	7	M75	20	56.00	65.00

All Dimension are Millimeters



# Cable Glands

## BWR ROTARY CONE CABLE GLANDS



Cable Glands

### Technical Details

**Size** : 0 to 7

**IP Rating** : 30

**Application** : BWR Rotary Cone Cable Glands can be used indoors or outdoors, mechanical retention of the cable, to provide clamping of the armouring ensuring earth continuity, and to provide.

**Material** : Brass 2874 CZ121 Pb3

**Options Threads** : Metric

**Finish** : Natural Brass Finish, Nickel Finish

**Operating Temp.** : Standard Seals -20° C to +80° C

**Accessories** : Matching Accessories Available like PVC Shrouds, Lock Nuts & Earth Tag.

CODE NO.	GLAND SIZE	THREAD SIZE 'C' METRIC	MINIMUM LENGTH OF THREAD 'D'	CABLE RANGE	
				MAX 'A'	MAX 'B'
AT-BR-0	0	M20	10	12.70	16.00
AT-BR-1	1	M20	10	16.00	19.00
AT-BR-2	2	M20	10	20.60	26.50
AT-BR-3	3	M25	10	25.50	33.00
AT-BR-4	4	M32	10	34.90	40.50
AT-BR-5	5	M40	10	44.60	51.00
AT-BR-6	6	M50	12	57.00	67.00
AT-BR-7	7	M63	12	68.00	79.50

All Dimension are Millimeters

ALCO TYPE CABLE GLANDS



Technical Details

<b>Size</b>	: G - 204 to G - 755	<b>Material</b>	: Brass BS 2874 CZ121 Pb 3
<b>Standard</b>	: BS 6121	<b>Options Threads</b>	: METRIC, NPT, BSP & PG.
<b>IP Rating</b>	: IP30	<b>Finish</b>	: Material Brass Finish , Nickel Finish.
<b>Application</b>	: Dry indoor, for use with all types of SWA Cable.	<b>Operating Temp.</b>	: -80° c to + 600° c.
<b>Function</b>	: Provide mechanical cable Retention & Ele.Wire continuity via Armoured Wire.	<b>Accessories</b>	: Matching accessories available like PVC Shrouds, Lock Nuts & Earth Tag.

CODE NO.	GLAND SIZE	THREAD SIZE 'C'	MINIMUM LENGTH OF THREAD 'D'	CABLE RANGE	
		METRIC		MAX 'A'	MAX 'B'
AT-AL-204	G - 204	M20	9	12.50	17.00
AT-AL-206	G - 206	M20	9	14.50	20.00
AT-AL-254	G - 254	M25	9	16.00	22.00
AT-AL-256	G - 256	M25	10	18.50	24.00
AT-AL-324	G - 324	M32	10	23.50	29.50
AT-AL-326	G - 326	M32	10	27.50	34.00
AT-AL-405	G - 405	M40	13	33.50	41.50
AT-AL-503	G - 503	M50	13	39.50	48.50
AT-AL-505	G - 505	M50	13	44.50	54.50
AT-AL-636	G - 636	M63	14	56.00	66.00
AT-AL-753	G - 753	M75	15	64.00	75.50
AT-AL-755	G - 755	M75	15	68.00	78.00

All Dimension are Millimeters



# Cable Glands

## MARINE TYPE CABLE GLANDS



Cable Glands

### Technical Details

<b>Size</b>	: 10 mm to 70 mm	<b>Options Thread</b>	: ISO Metric, NPT, BSP & BSPT.
<b>IP Rating</b>	: IP54 & 66	<b>Finish</b>	: Chrome Finish, Brass Finish, Nickel Finish.
<b>Application</b>	: Outdoor or indoor for use with all type of braided or unarmoured Marine electrical cable fittings.	<b>Operating Temp.</b>	: Standard seals -20° C to + 80° C.
		<b>Material</b>	: Brass BS 2874 CZ121 Pb3

CODE NO.	GLAND SIZE	'A'	'B'	'C'	THREAD LENGTH (IN MM) 'D'
AT-MCG-10	10	45.00	10.00	3/8" BSP	11
AT-MCG-15	15	50.00	15.00	1/2" BSP	11
AT-MCG-20	20	53.00	20.00	3/4" BSP	10
AT-MCG-25	25	60.00	25.00	1" BSP	11
AT-MCG-30	30	65.00	30.00	1.1/4" BSP	12
AT-MCG-35	35	70.00	40.00	1.1/2" BSP	12
AT-MCG-40	40	70.00	40.00	1.1/2" BSP	12
AT-MCG-45	45	85.00	50.00	2" BSP	12
AT-MCG-50	50	85.00	50.00	2" BSP	12
AT-MCG-55	55	87.00	60.00	2.1/2" BSP	12
AT-MCG-60	60	88.00	60.00	2.1/2" BSP	12
AT-MCG-65	65	100.00	70.00	3" BSP	14
AT-MCG-70	70	110.00	70.00	3" BSP	14

All Dimension are Millimeters

DOUBLE COMPRESSION WEATHER PROFF GLANDS



Technical Details

Size	: ALW 01 SS to ALW 016	Finish	: Natural Bras Finish, Nickel Finish.
Standard	: IS 12063 – 1987 (IEC – 60529/1989)	CMRI Certificate No.:	: CIMFR / TC / P / H722
IP Rating	: IP65	Operating Temp.	: Standard seals -20° C to +80° C.
Function	: For use Outdoor / Indoor for Armoured & Unarmoured Cable	Accessories	: Matching Accessories available like PVC Shrouds, Lock Nuts & Earth Tag.
Material	: Brass BS 2874 CZ121 Pb3.		
Thread	: BSC standard (NPT / ET / BSP / PG / Metric also available)		

CODE NO.	GLAND SIZE	THREAD SIZE 'C' (INCH)	MINIMUM LENGTH OF THREAD 'D'	CABLE RANGE	
				MAX 'A'	MAX 'B'
AL-W-01 SS	01 SS	3/4"	15	8.00	12.00
AL-W-01 S	01 S	3/4"	15	10.00	16.50
AL-W-01	01	3/4"	15	12.00	18.00
AL-W-01 A	01 A	1"	15	12.00	18.00
AL-W-02	02	1"	15	14.00	20.00
AL-W-02 A	02 A	3/4"	15	14.00	20.00
AL-W-03	03	1"	15	17.00	23.00
AL-W-04	04	1"	15	20.00	26.00
AL-W-04 A	04 A	1 1/4"	15	20.00	26.00
AL-W-05	05	1 1/4"	15	24.00	30.00
AL-W-05 A	05 A	1 1/2"	15	24.00	30.00
AL-W-06	06	1 1/2"	15	27.00	33.00
AL-W-06 A	06 A	1 1/4"	15	27.00	33.00
AL-W-07	07	1 1/2"	15	30.00	37.00
AL-W-08	08	2"	15	35.00	41.00
AL-W-09	09	2"	15	40.00	46.00
AL-W-010	010	2"	20	46.00	52.00
AL-W-010 A	010 A	2 1/2"	20	46.00	52.00
AL-W-011	011	2 1/2"	20	54.00	60.00
AL-W-012	012	3"	20	60.00	67.00
AL-W-013 A	013 A	3"	20	66.00	72.00
AL-W-013	013	3 1/4"	20	72.00	78.00
AL-W-014	014	3 1/2"	20	78.00	84.00
AL-W-015	015	4"	20	88.00	94.00
AL-W-016	016	4 1/2"	20	98.00	105.00

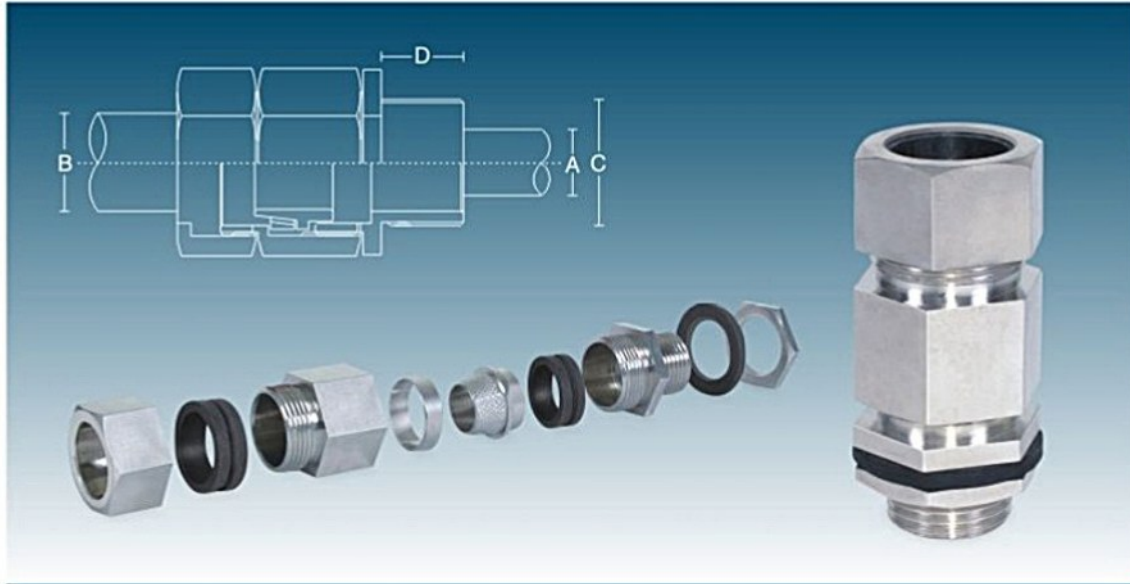
All Dimension are Millimeters



# Cable Glands

**CMRI**  
APPROVAL

## DOUBLE COMPRESSION FLAME PROFF GLANDS



Cable Glands

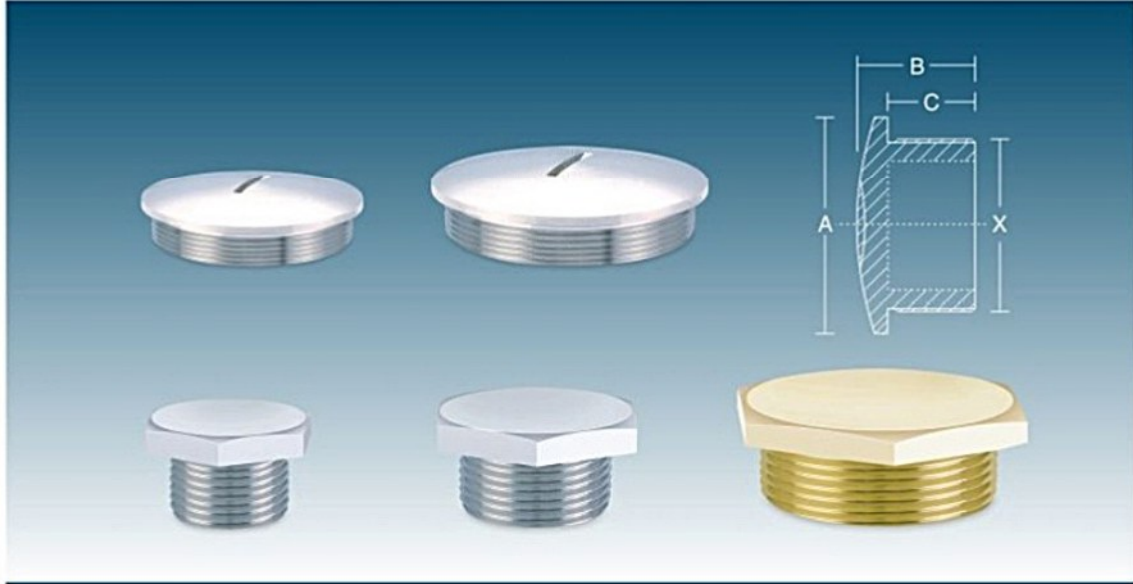
### Technical Details

<b>Size</b>	: ALF 01 SS to AIF 016	<b>Finish</b>	: Natural Brass Finish, Nickel Finish.
<b>Standard</b>	: IS 2148 – 2004 (IEC – 60097-1/2001)	<b>CMRI Certificate No.</b>	: CIMFR/TC/P/H722
<b>IP Rating</b>	: IP65	<b>Operating Temp.</b>	: Standard seals -20°C to +80°C.
<b>Function</b>	: Generally used in Flammable Gas / Vapour area	<b>Type of Ex Protection:</b>	Flame Proof Ex - 'd'
<b>Material</b>	: Brass BS 2874 CZ121 Pb3.	<b>Gas Zone</b>	: Gas Group Zone I - IIA - IIB - IIC
<b>Thread</b>	: BSC standard [NPT/ET/BSP/PG /Metric also available]	<b>Accessories</b>	: Matching Accessories available like PVC Shrouds, Lock Nuts & Earth Tag.

CODE NO.	GLAND SIZE	THREAD SIZE 'C' (INCH)	MINIMUM LENGTH OF THREAD 'D'	CABLE RANGE	
				MAX 'A'	MAX 'B'
AL-F-01 SS	01 SS	3/4"	25	8.00	12.00
AL-F-01 S	01 S	3/4"	25	10.00	16.50
AL-F-01	01	3/4"	25	12.00	18.00
AL-F-01 A	01 A	1"	25	12.00	18.00
AL-F-02	02	1"	25	14.00	20.00
AL-F-02 A	02 A	3/4"	25	14.00	20.00
AL-F-03	03	1"	25	17.00	23.00
AL-F-04	04	1"	25	20.00	26.00
AL-F-04 A	04 A	1 1/4"	25	20.00	26.00
AL-F-05	05	1 1/4"	25	24.00	30.00
AL-F-05 A	05 A	1 1/2"	25	24.00	30.00
AL-F-06	06	1 1/2"	25	27.00	33.00
AL-F-06 A	06 A	1 1/4"	25	27.00	33.00
AL-F-07	07	1 1/2"	25	30.00	37.00
AL-F-08	08	2"	25	35.00	41.00
AL-F-09	09	2"	25	40.00	46.00
AL-F-010	010	2"	25	46.00	52.00
AL-F-010 A	010 A	2 1/2"	25	46.00	52.00
AL-F-011	011	2 1/2"	25	54.00	60.00
AL-F-012	012	3"	25	60.00	67.00
AL-F-013 A	013 A	3"	25	66.00	72.00
AL-F-013	013	3 1/4"	25	72.00	78.00
AL-F-014	014	3 1/2"	25	78.00	84.00
AL-F-015	015	4"	25	88.00	94.00
AL-F-016	016	4 1/2"	25	98.00	105.00

All Dimension are Millimeters

STOP PLUGS



Technical Details

**Application** : Reducer allows a PG threaded gland to be terminated in enclosures with different entry thread form (ET NPT BSP BSPT)

**Function** : Reduce the entry thread diameter of enclosures.

**Material** : Brass BS 2874 CZ121 Pb3

**Finish** : Brass Nickel Plated

**Options Thread** : Metric, ET, NPT & PG.

METRIC STOP PLUG

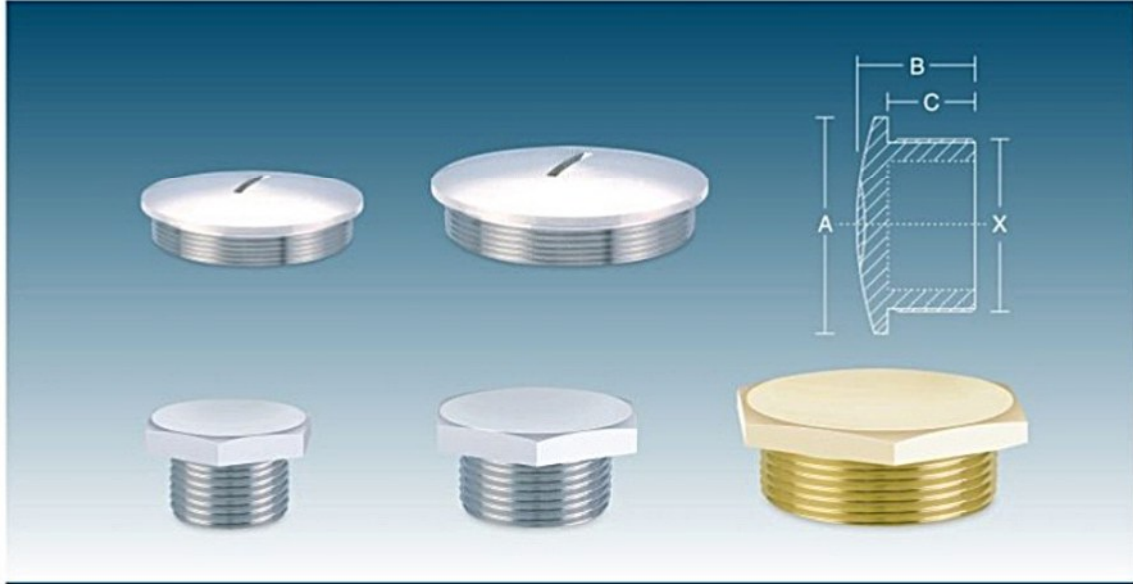
CODE NO.	THREAD SIZE 'X'	A	B	C
AT-SP-M12	M12	14.0	7.0	5.0
AT-SP-M16	M16	18.0	8.0	6.0
AT-SP-M20	M20	22.0	8.5	6.5
AT-SP-M25	M25	27.0	10.0	7.0
AT-SP-M32	M32	34.0	11.0	8.0
AT-SP-M40	M40	44.0	13.0	9.5
AT-SP-M50	M50	54.0	14.5	10.5
AT-SP-M63	M63	67.0	15.0	10.5

PG STOP PLUG

CODE NO.	THREAD SIZE 'X'	A	B	C
AT-SP-PG7	PG7	12.0	8.0	5.5
AT-SP-PG9	PG9	17.0	9.0	6.0
AT-SP-PG11	PG11	20.0	9.0	6.0
AT-SP-PG13.5	PG13.5	22.0	9.5	6.5
AT-SP-PG16	PG16	24.0	9.5	6.5
AT-SP-PG21	PG21	31.0	11.0	6.5
AT-SP-PG29	PG29	39.5	13.0	7.5
AT-SP-PG36	PG36	50.0	13.0	9.0
AT-SP-PG42	PG42	55.5	16.0	9.5
AT-SP-PG48	PG48	64.5	17.5	9.5



STOP PLUGS



Technical Details

**Application** : Reducer allows a PG threaded gland to be terminated in enclosures with different entry thread form (ET NPT BSP BSPT)

**Function** : Reduce the entry thread diameter of enclosures.

**Material** : Brass BS 2874 CZ121 Pb3

**Finish** : Brass Nickel Plated

**Options Thread** : Metric, ET, NPT & PG.

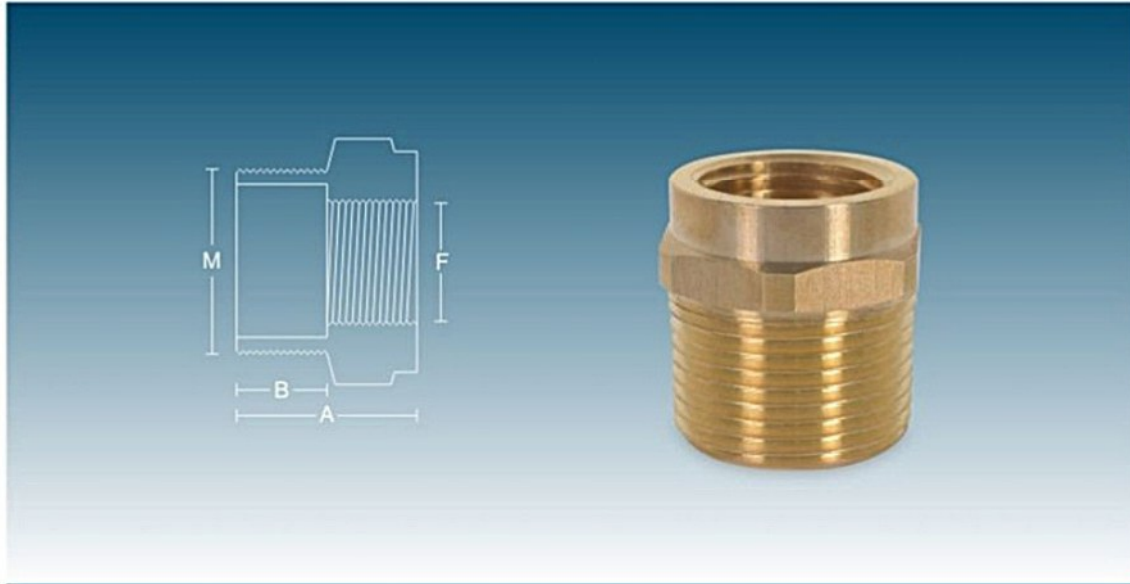
METRIC STOP PLUG

CODE NO.	THREAD SIZE 'X'	A	B	C
AT-SP-M12	M12	14.0	7.0	5.0
AT-SP-M16	M16	18.0	8.0	6.0
AT-SP-M20	M20	22.0	8.5	6.5
AT-SP-M25	M25	27.0	10.0	7.0
AT-SP-M32	M32	34.0	11.0	8.0
AT-SP-M40	M40	44.0	13.0	9.5
AT-SP-M50	M50	54.0	14.5	10.5
AT-SP-M63	M63	67.0	15.0	10.5

PG STOP PLUG

CODE NO.	THREAD SIZE 'X'	A	B	C
AT-SP-PG7	PG7	12.0	8.0	5.5
AT-SP-PG9	PG9	17.0	9.0	6.0
AT-SP-PG11	PG11	20.0	9.0	6.0
AT-SP-PG13.5	PG13.5	22.0	9.5	6.5
AT-SP-PG16	PG16	24.0	9.5	6.5
AT-SP-PG21	PG21	31.0	11.0	6.5
AT-SP-PG29	PG29	39.5	13.0	7.5
AT-SP-PG36	PG36	50.0	13.0	9.0
AT-SP-PG42	PG42	55.5	16.0	9.5
AT-SP-PG48	PG48	64.5	17.5	9.5

## REDUCER

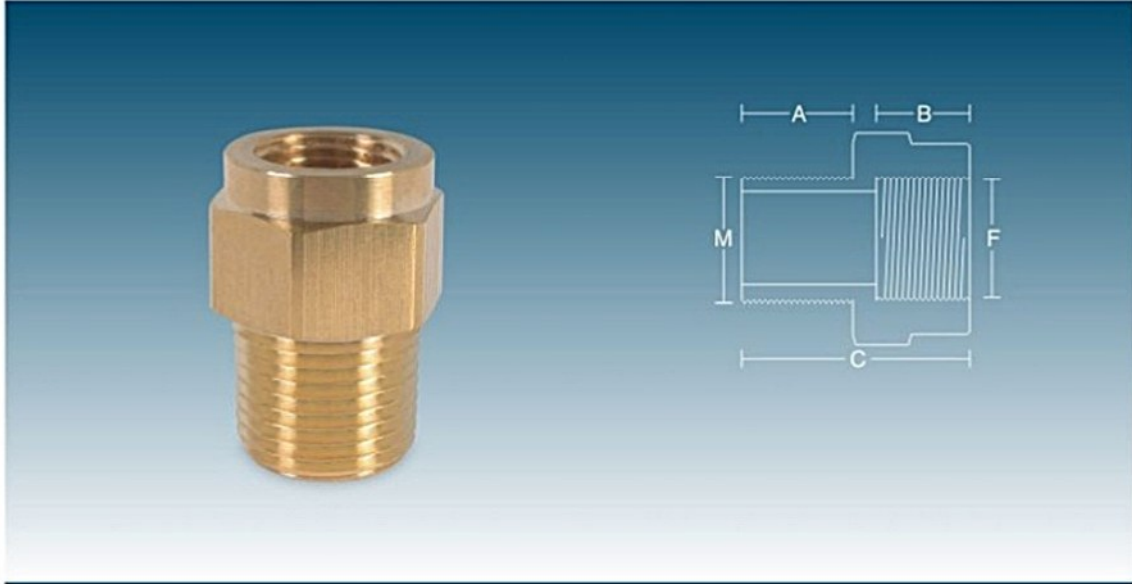


CODE NO.	SIZE		A	B
	M	F		
AT-RDM-20	M20	M16	26	15
AT-RDM-25	M25	M20	26	15
AT-RDM-32-1	M32	M20	26	15
AT-RDM-32-2	M32	M25	26	15
AT-RDM-40-1	M40	M20	26	15
AT-RDM-40-2	M40	M25	26	15
AT-RDM-40-3	M40	M32	26	15
AT-RDM-50-1	M50	M20	29	15
AT-RDM-50-2	M50	M25	29	15
AT-RDM-50-3	M50	M32	29	15
AT-RDM-50-4	M50	M40	29	15
AT-RDM-63-1	M63	M40	25	15
AT-RDM-63-2	M63	M50	25	15
AT-RDM-75-1	M75	M40	30	20
AT-RDM-75-2	M75	M50	30	20
AT-RDM-75-3	M75	M63	30	20
AT-RDMN-25	M25	1/2"	26	15
AT-RDMN-32-1	M32	1/2"	26	15
AT-RDMN-32-2	M32	3/4"	26	15
AT-RDMN-40-1	M40	1/2"	26	15
AT-RDMN-40-2	M40	3/4"	26	15
AT-RDMN-40-3	M40	1"	26	15
AT-RDMN-50-1	M50	1/2"	29	15
AT-RDMN-50-2	M50	3/4"	29	15
AT-RDMN-50-3	M50	1"	29	15
AT-RDMN-50-4	M50	1 1/2"	29	15
AT-RDMN-63-1	M63	1 1/2"	25	15
AT-RDMN-63-2	M63	1 1/2"	25	15
AT-RDMN-75-1	M75	1 1/2"	30	20
AT-RDMN-75-2	M75	1 1/2"	30	20
AT-RDMN-75-3	M75	2"	30	20

CODE NO.	SIZE		A	B
	M	F		
AT-RDNM-16	1/2"	M16	29	18
AT-RDNM-20-1	3/4"	M20	29	18
AT-RDNM-20-2	1"	M20	33	22
AT-RDNM-25-1	1"	M25	33	22
AT-RDNM-20-3	1 1/4"	M20	33	22
AT-RDNM-25-2	1 1/4"	M25	33	22
AT-RDNM-32-1	1 1/4"	M32	33	22
AT-RDNM-20-4	1 1/2"	M20	38	24
AT-RDNM-25-3	1 1/2"	M25	38	24
AT-RDNM-32-2	1 1/2"	M32	38	24
AT-RDNM-40-1	1 1/2"	M40	38	24
AT-RDNM-40-2	2"	M40	34	24
AT-RDNM-50-1	2"	M50	34	24
AT-RDNM-40-3	2 1/2"	M40	38	28
AT-RDNM-50-2	2 1/2"	M50	38	28
AT-RDNM-63	2 1/2"	M63	38	28
AT-RDN-0.50	1/2"	3/8"	29	18
AT-RDN-0.75	3/4"	1/2"	29	18
AT-RDN-1-1	1"	1"	33	22
AT-RDN-1-2	1"	3/4"	33	22
AT-RDN-1.25-1	1 1/4"	1/2"	33	22
AT-RDN-1.25-2	1 1/4"	3/4"	33	22
AT-RDN-1.25-3	1 1/4"	1"	33	22
AT-RDN-1.50-1	1 1/2"	1/2"	38	24
AT-RDN-1.50-2	1 1/2"	3/4"	38	24
AT-RDN-1.50-3	1 1/2"	1"	38	24
AT-RDN-1.50-4	1 1/2"	1 1/4"	38	24
AT-RDN-2	2"	1 1/4"	34	24
AT-RDN-2.50-1	2 1/2"	1 1/4"	38	28
AT-RDN-2.50-2	2 1/2"	1 1/2"	38	28
AT-RDN-2.50-3	2 1/2"	2"	38	28



ADAPTOR



CODE NO.	SIZE		A	B	C
	M	F			
AT-ADM-16	M16	M20	15	15	33
AT-ADM-20	M20	M25	15	15	33
AT-ADM-25	M25	M32	15	15	33
AT-ADM-32	M32	M40	15	15	33
AT-ADM-40-1	M40	M50	15	15	33
AT-ADM-40-2	M40	M63	15	15	33
AT-ADM-50	M50	M63	15	15	33
<hr/>					
AT-ADNM-16	M16	1/2"	15	18	36
AT-ADNM-20	M20	3/4"	15	18	36
AT-ADNM-25	M25	3/4"	15	18	36
AT-ADNM-32-1	M32	1"	15	22	40
AT-ADNM-32-2	M32	1 1/4"	15	22	40
AT-ADNM-40	M40	1 1/4"	15	22	40
AT-ADNM-50-1	M50	1 1/4"	15	24	42
AT-ADNM-50-2	M50	2"	15	24	42
AT-ADNM-50-3	M50	2 1/2"	15	28	46
AT-ADNM-63-1	M63	2"	15	24	42
AT-ADNM-63-2	M63	2 1/2"	15	28	46
AT-ADNM-75-1	M75	2 1/2"	20	28	51
AT-ADNM-75-2	M75	3"	20	28	51

CODE NO.	SIZE		A	B	C
	M	F			
AT-ADNM-20	1/2"	M20	18	15	36
AT-ADNM-25	1/2"	M25	18	15	36
AT-ADNM-32-1	1/2"	M32	18	15	36
AT-ADNM-32-2	3/4"	M32	18	15	36
AT-ADNM-32-3	1"	M32	22	15	40
AT-ADNM-40	1"	M40	22	15	40
AT-ADNM-50-1	1 1/2"	M50	22	15	40
AT-ADNM-50-2	1 1/2"	M50	24	15	42
AT-ADNM-63	2"	M63	24	15	42
AT-ADNM-75	2 1/2"	M75	28	20	51
AT-ADNM-90	3"	M90	28	20	51
<hr/>					
AT-ADN-0.05	1/2"	3/4"	18	18	39
AT-ADN-1	1"	1 1/2"	22	22	47
AT-ADN-1.25	1 1/4"	1 1/2"	22	24	49
AT-ADN-1.50	1 1/2"	2"	24	24	51
AT-ADN-2	2"	2 1/2"	24	28	55
AT-ADN-2.50	2 1/2"	3"	28	28	59

## LOCKNUTS - PG, METRIC & NPT



### Technical Details

- Application Brass** : Brass Locknuts are traditional components used in fastening glands to the gland plate & as they are identical material to the gland, corrosion effects are minimal.
- Function Standard** : With ISO metric thread. To secure only brass cable glands to a gland plate.
- Material** : Brass BS 2874 CZ121 Pb3, Mild Steel
- Options Thread** : Metric, ET, NPT, BSP, BSPT & PG
- Plating** : Brass, Nickel Plated, Zink Plated.

LOCKNUT SELECTION TABLE - NPT

CODE NO.	NPT			
	NPT	ACROSS FLATS	ACROSS CORNERS	TOTAL LENGTH
	SIZE	'A'	'B'	'C'
AT-LN-1/2"	1/2" NPT	24.0	26.7	3.5
AT-LN-3/4"	3/4" NPT	30.5	35.0	4.0
AT-LN-1"	1" NPT	38.0	44.0	4.0
AT-LN-1 1/4"	1 1/4" NPT	46.0	50.0	4.5
AT-LN-1 1/2"	1 1/2" NPT	55.0	60.0	4.5
AT-LN-2"	2" NPT	65.0	72.0	5.0
AT-LN-2 1/2"	2 1/2" NPT	80.0	90.0	5.5

LOCKNUT SELECTION TABLE - METRIC

CODE NO.	METRIC x 1.5 MM PITCH			
	METRIC	ACROSS FLATS	ACROSS CORNERS	TOTAL LENGTH
	SIZE	'A'	'B'	'C'
AT-LN-M12	M12	14.0	15.5	2.5
AT-LN-M16	M16	18.0	20.0	2.5
AT-LN-M20	M20	23.0	25.7	3.0
AT-LN-M20	M20	23.0	25.7	3.0
AT-LN-M25	M25	30.5	35.0	3.5
AT-LN-M32	M32	38.0	43.5	3.5
AT-LN-M40	M40	46.0	50.0	4.5
AT-LN-M50	M50	55.0	60.0	5.5
AT-LN-M63	M63	70.0	78.0	5.5
AT-LN-M75	M75	85.0	93.5	6.0
AT-LN-M90	M90	103.0	113.0	6.5
AT-LN-M100	M100	111.5	124.0	7.0

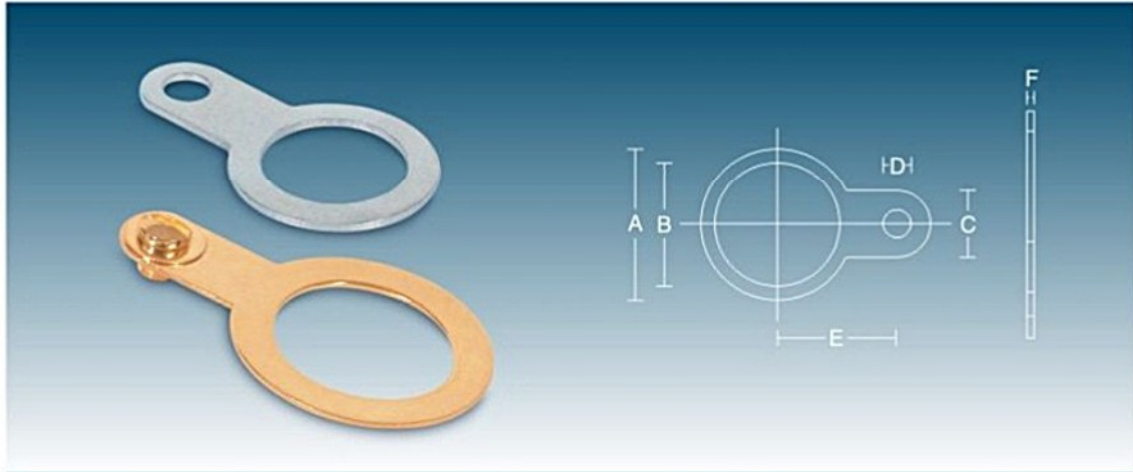
LOCKNUT SELECTION TABLE - PG

CODE NO.	PG			
	PG	ACROSS FLATS	ACROSS CORNERS	TOTAL LENGTH
	SIZE	'A'	'B'	'C'
AT-LN-PG7	PG7	15.0	16.5	2.5
AT-LN-PG9	PG9	18.0	20.5	3.0
AT-LN-PG11	PG11	21.0	23.5	3.5
AT-LN-PG13.5	PG13.5	22.0	24.0	3.5
AT-LN-PG16	PG16	24.5	26.5	3.5
AT-LN-PG21	PG21	32.5	35.0	3.5
AT-LN-PG29	PG29	41.0	45.0	4.0
AT-LN-PG36	PG36	51.0	56.0	5.0
AT-LN-PG42	PG42	60.0	65.0	5.0
AT-LN-PG48	PG48	64.0	69.0	5.0

All Dimension are Millimeters



## EARTH TAGS



### Technical Details

**Application** : Provides an earth bond attachment for a cable gland.

**Material & Finish** : Earth tags are manufactured in Brass (standard). Stainless Steel earth tags are available, but dimensions may differ slightly to those stated in the selection table.

**EARTH TAG SELECTION TABLE**

CODE NO.	SIZE	'A'	'B'	'C'	'D'	'E'	'F'
AT-ET-M20	M20	29	20.5	13	6.5	27	1.5
AT-ET-M25	M25	37	25.5	13	6.5	33	1.5
AT-ET-M32	M32	44	32.5	16	6.5	39	1.5
AT-ET-M40	M40	52	40.5	16	6.5	44	1.5
AT-ET-M50	M50	64	50.5	16	6.5	51	1.5
AT-ET-M63	M63	80	63.5	23	6.5	65	1.5
AT-ET-M75	M75	96	75.5	24	6.5	73	1.5
AT-ET-M90	M90	114	90.5	37	6.5	86	1.5

All dimensions are in millimeters

## PVC SHROUDS

### Technical Details

**Application** : Push on shrouds which are used to minimize the risk of dirt or foreign substances gathering on the Cable Gland Body, and/or point of cable to a gland interface.

**Function** : For all types of gland applications to provide additional protection & enhances the IP rating of the gland termination.

**Material** : PVC & LSF

**Options** : Dip molding & Injection Molding.

**Colour** : Black, Gry, Green & Red.

**Size** : M-20 to M-90 long and Short both available.



## ENTRY THREAD SEAL



### Technical Details

**Application :** For use on cable gland entry threads.

**Material :** Nylon

**Colour :** White & Green.

**Features :** To maintain ingress protection rating at the enclosure.

Retaining 'pips' make nylon washer captive on metric cable gland entry thread.

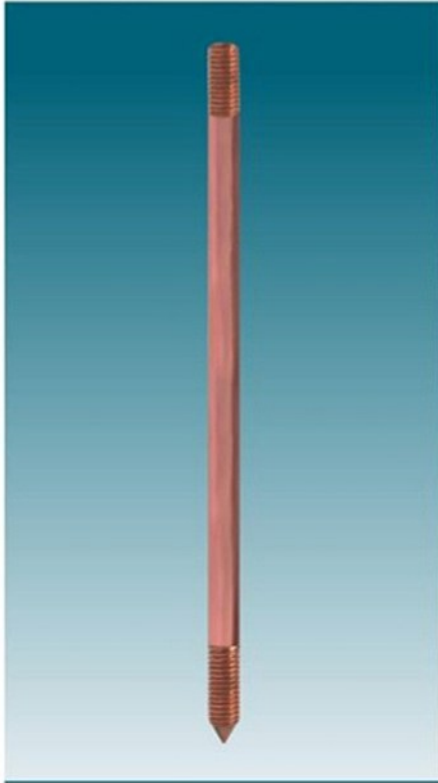
SEALING WASHER SELECTION TABLE

CODE NO.	SIZE	STANDARD ENTRY THREAD	DIMENSION (MM)		
		MM	A	B	C
AT-FW-20/16	20/16	20	21.5	28.5	1.5
AT-FW-20 S	20 S	20	21.5	28.5	1.5
AT-FW-20	20	20	21.5	28.5	1.5
AT-FW-25	25	25	26.5	36.5	1.5
AT-FW-32	32	32	33.5	44.0	1.5
AT-FW-40	40	40	42.0	52.0	1.5
AT-FW-50 S	50 S	50	50.0	62.0	2.5
AT-FW-50 L	50 L	50	50.0	62.0	2.5
AT-FW-63 S	63 S	63	63.0	72.0	2.0
AT-FW-63 L	63 L	63	63.0	72.0	2.0
AT-FW-75 S	75 S	75	75.5	86.0	2.0
AT-FW-75 L	75 L	75	75.5	86.0	2.0
AT-FW-90	90	90	90.0	104.0	2.5

CODE NO.	SIZE	STANDARD ENTRY THREAD	DIMENSION (MM)		
		NPT	A	B	C
AT-FW-20/16-1	½"	½"	21.5	28.5	1.5
AT-FW-20 S-1	½"	½"	21.5	28.5	1.5
AT-FW-20-1	½"	½"	21.5	28.5	1.5
AT-FW-25-1	¾"	¾"	26.5	36.5	1.5
AT-FW-32-1	1"	1"	33.5	44.0	1.5
AT-FW-40-1	1¼"	1¼"	42.0	52.0	1.5
AT-FW-50 S-1	1½"	1½"	50.0	62.0	2.5
AT-FW-50 L-1	2"	2"	50.0	62.0	2.5
AT-FW-63 S-1	2"	2"	63.0	72.0	2.0
AT-FW-63 L-1	2½"	2½"	63.0	72.0	2.0
AT-FW-75 S-1	2½"	2½"	75.5	86.0	2.0
AT-FW-75 L-1	3"	3"	75.5	86.0	2.0
AT-FW-90-1	3"	3"	90.0	104.0	2.5

All dimensions are in millimeters



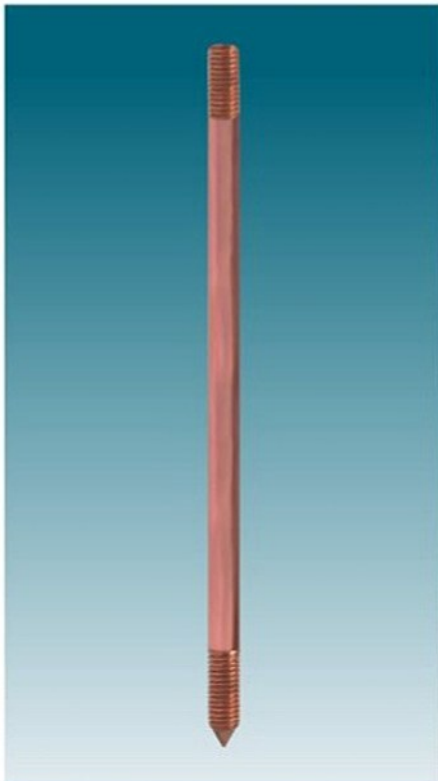


### COPPER BONDED EARTH ROD AND FITTINGS

Manufactured from high tensile low carbon steel by molecularly bonding 99.9% pure electrolytic copper, these earth rods conform to BS 4360 grade 43A. Each rod is treated with Benzol Triazole derivatives to prevent oxidation of copper bonding. The threads are formed by roll threading process which ensure strength and maintain the molecularly bonded copper along the full length of the threads. The rods can be deep driven manually or by using power hammer.

Material: MS Copper Bonded

CODE NO.	ROD DIA MM	TOTAL LENGTH	THREAD DIA
AT-CB-9.5-1.2	9.5	1200	Unthreaded
AT-CB-12.7-1.2	12.7	1200	9/16"
AT-CB-12.7-1.5	12.7	1500	9/16"
AT-CB-12.7-1.8	12.7	1800	9/16"
AT-CB-12.7-2.4	12.7	2400	9/16"
AT-CB-12.7-3.0	12.7	3000	9/16"
AT-CB-14.2-12.5	14.2	1200	5/8"
AT-CB-14.2-1.5	14.2	1500	5/8"
AT-CB-14.2-1.8	14.2	1800	5/8"
AT-CB-14.2-2.4	14.2	2400	5/8"
AT-CB-14.2-3.0	14.2	3000	5/8"
AT-CB-17.2-1.2	17.2	1200	3/4"
AT-CB-17.2-1.5	17.2	1500	3/4"
AT-CB-17.2-1.8	17.2	1800	3/4"
AT-CB-17.2-2.4	17.2	2400	3/4"
AT-CB-17.2-3.0	17.2	3000	3/4"
AT-CB-25-2.4	25.0	2400	Unthreaded
AT-CB-25-3.0	25.0	3000	Unthreaded



### SOLID COPPER EARTH ROD (Externally Threaded)

For use where extreme soil condition such as high salt or moisture content demands high corrosion resistance and exceptionally long life of rods. Solid Copper Earth Rods are made from high conductivity hard drawn copper to BS2874 C101. Threads are formed by roll threading process to ensure extra strength and avoid the risk of chipping while driving the rods in the ground.

Material: Copper

CODE NO.	ROD DIA MM	TOTAL LENGTH	THREAD DIA
AT-SC-12.7-1.2	12.7	1200	8 mm
AT-SC-12.7-1.5	12.7	1500	8 mm
AT-SC-12.7-1.8	12.7	1800	8 mm
AT-SC-12.7-2.4	12.7	2400	8 mm
AT-SC-12.7-3.0	12.7	3000	8 mm
AT-SC-14.2-1.2	14.2	1200	10 mm
AT-SC-14.2-1.5	14.2	1500	10 mm
AT-SC-14.2-1.8	14.2	1800	10 mm
AT-SC-14.2-2.4	14.2	2400	10 mm
AT-SC-14.2-3.0	14.2	3000	10 mm
AT-SC-17.2-1.2	17.2	1200	10 mm
AT-SC-17.2-1.5	17.2	1500	10 mm
AT-SC-17.2-1.8	17.2	1800	10 mm
AT-SC-17.2-2.4	17.2	2400	10 mm
AT-SC-17.2-3.0	17.2	3000	10 mm

# Earthing Accessories

## HOT DIP GALVANISED STEEL EARTH ROD

As a cost effective option for earthing, Hot Dip Galvanized Steel Earth Rods which are made of high strength low carbon steel. These are hot dip galvanized to Bs729.

Material: MS

CODE NO.	ROD DIA MM	TOTAL LENGTH	THREAD DIA
AT-HD-12-1.2	12	1200	Unthreaded
AT-HD-12-1.5	12	1500	Unthreaded
AT-HD-12-1.8	12	1800	Unthreaded
AT-HD-12-2.4	12	2400	Unthreaded
AT-HD-12-3.0	12	3000	Unthreaded
AT-HD-14-1.2	14	1200	Unthreaded
AT-HD-14-1.5	14	1500	Unthreaded
AT-HD-14-1.8	14	1800	Unthreaded
AT-HD-14-2.4	14	2400	Unthreaded
AT-HD-14-3.0	14	3000	Unthreaded
AT-HD-16-1.2	16	1200	Unthreaded
AT-HD-16-1.5	16	1500	Unthreaded
AT-HD-16-1.8	16	1800	Unthreaded
AT-HD-16-2.4	16	2400	Unthreaded
AT-HD-16-3.0	16	3000	Unthreaded
AT-HD-20-1.2	20	1200	Unthreaded
AT-HD-20-1.5	20	1500	Unthreaded
AT-HD-20-1.8	20	1800	Unthreaded
AT-HD-20-2.4	20	2400	Unthreaded
AT-HD-20-3.0	20	3000	Unthreaded



Earthing Acce.

## SOLID COPPER EARTH ROD (Internally Threaded)

For use where extreme soil condition such as high salt or moisture content demands high corrosion resistance and exceptionally long life of rods. Solid Copper Earth Rods are made from high conductivity hard drawn copper to BS2874C101

Material: Copper

CODE NO.	ROD DIA MM	TOTAL LENGTH	THREAD DIA
AT-SC-IN-14-1.2	14	1200	M10
AT-SC-IN-14-1.5	14	1500	M10
AT-SC-IN-15-1.2	15	1200	M10
AT-SC-IN-15-1.5	15	1500	M10
AT-SC-IN-16-1.2	16	1200	M10
AT-SC-IN-16-1.5	16	1500	M10
AT-SC-IN-20-1.2	20	1200	M12
AT-SC-IN-20-1.5	20	1500	M12







### DRIVING SPIKE

The steel spike enables the rod to be driven easily and stops the copper rod get damaged.

**Material:** High Tensile Steel.

CODE NO.	THREAD DIA	ROD DIA
AT-DS-08	M08	9/16"
AT-DS-10	M10	5/8"
AT-DS-12	M12	3/4"



### INTERNAL COUPLING DOWELS

This coupling dowel is used to join the solid copper or stainless steel rods.

**Material:** High Grade Brass, Stainless Steel.

CODE NO.	THREAD DIA	ROD DIA
AT-IC-08	M08	9/16"
AT-IC-10	M10	5/8"
AT-IC-12	M12	3/4"



### DRIVING HEAD

The driving head protects the thread and the top of the rod from damage when driving.

**Material:** High Tensile Steel.

CODE NO.	THREAD DIA	ROD DIA
AT-DH-08	M08	9/16"
AT-DH-10	M10	5/8"
AT-DH-12	M12	3/4"



### DRIVING BOLT

This reusable driving bolt is suitable for driving earth rods by hand or with a power hammer.

The driving head screws into the coupling to allow deep driving of the earth rods and protect the threads.

**Material:** High Tensile Steel

CODE NO.	THREAD DIA	ROD DIA
AT-DB-16	5/8" or 16 mm	14.2 mm
AT-DB-20	3/4" or 20 mm	17.2 mm

# Earthing Accessories

## COUPLING

This coupling joins lengths of threaded copper bond earth rods together. They facilitate deep driving and ensure continual contact between the rods during and after driving.

The coupling also protects the rods threads while using the driving stud. The coupling has lead for ease of assembly and a hex on the outside for grip and keeping the coupling tight when driving into the ground.

**Material:** Gunmetal, Brass, Aluminium Bronze.

CODE NO.	THREAD DIA	LENGTH
AT-CP-14	9/16" (M14)	72 mm
AT-CP-16	5/8" (M16)	72 mm
AT-CP-20	3/4" (M20)	72 mm

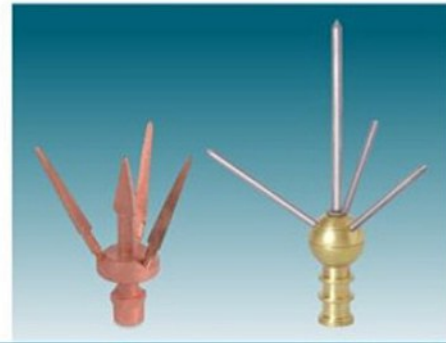


## MULTIPLE POINTS

This item can be used as conjunction with copper pointed air terminal. The multi point is connected to the air termination network.

**Material:** Gunmetal, Brass base with Copper Spikes.

CODE NO.	THREAD DIA.
AT-MP-16	5/8" or 16 mm
AT-MP-20	3/4" or 20 mm



## AIR ROD TERMINAL BASE

Used in conjunction with an air rod, the flat saddle fixes onto the roof network of the lightning protection system connection the tape to the air rod.

**Material:** Gunmetal, Brass.

CODE NO.	THREAD DIA.
AT-ART-16	5/8" or 16 mm
AT-ART-20	3/4" or 20 mm

## TAPER POINTED AIR RODS

Air rod used in conventional lightning protection systems to be the point of interception for lightning strikes and as such should be considered for inclusion in any air termination design. Air rods require other components such as saddles, brackets and coupling at the time of installations.

**Material:** Copper / Brass / Aluminium

CODE NO.	THREAD DIA.	LENGTH MM
AT-TPA-16-0.3	5/8" or 16 mm	300
AT-TPA-16-0.5	5/8" or 16 mm	500
AT-TPA-16-1	5/8" or 16 mm	1000
AT-TPA-16-1.5	5/8" or 16 mm	1500
AT-TPA-16-2	5/8" or 16 mm	2000
AT-TPA-20-0.3	3/4" or 20 mm	300
AT-TPA-20-0.5	3/4" or 20 mm	500
AT-TPA-20-1	3/4" or 20 mm	1000
AT-TPA-20-1.5	3/4" or 20 mm	1500
AT-TPA-20-2	3/4" or 20 mm	2000
AT-TPA-20-3	3/4" or 20 mm	3000







### U BOLT ROD CLAMP (TYPE 'E')

These clamps are used to connect flat taps in a horizontal position on the rod.

Material: Gunmetal, Brass.

CODE NO.	ROD DIA MM	CONDUCTOR RANGE MM <sup>2</sup>
AT-UE-9.5	9.5	6-35
AT-UE-14	14.0	16-70
AT-UE-16	16.0	16-95
AT-UE-20	20.0	70-120
AT-UE-25	25.0	70-185



### ROD TO CABLE LUG CLAMP 'B'

These clamps are used to connect cables / round conductors to the earth rod.

Material: Gunmetal, Brass.

CODE NO.	ROD SIZE
AT-RCB-9.5	9.5
AT-RCB-14	14.0
AT-RCB-16	16.0
AT-RCB-20	20.0
AT-RCB-25	25.0



### ROD TO CABLE CLAMP (TYPE 'GUV')

These clamp used to connect standard cable in a vertical position on the rod.

Material: Gunmetal, Brass.

CODE NO.	ROD DIA MM	CONDUCTOR RANGE MM <sup>2</sup>
AT-GUV-9.5	9.5	6-35
AT-GUV-14	14.0	16-70
AT-GUV-16	16.0	16-95
AT-GUV-20	20.0	70-120
AT-GUV-25	25.0	70-185



### U BOLT FOR RIGID PIPE & CABLE (TYPE 'PUB')

These clamp used to connect standard cables in a horizontal position on the rod.

Material: Gunmetal, Brass.

CODE NO.	ROD DIA MM	CONDUCTOR RANGE MM <sup>2</sup>
AT-PUB-9.5	9.5	6-35
AT-PUB-14	14.0	16-70
AT-PUB-16	16.0	16-95
AT-PUB-20	20.0	70-120
AT-PUB-25	25.0	70-185

# Earthing Accessories

## ROD TO CABLE CLAMP (TYPE 'KUV')

These clamp used to connect standard cables in a horizontal and vertical position on the rod.

Material: Gunmetal, Brass.

CODE NO.	ROD DIA MM	CONDUCTOR RANGE MM <sup>2</sup>
AT-KUV-9.5	9.5	6-35
AT-KUV-14	14.0	16-95
AT-KUV-16	16.0	16-95
AT-KUV-20	20.0	70-300
AT-KUV-25	25.0	70-185



## ROD TO CABLE CLAMP (TYPE 'SCE')

These clamp used connecting Earth Rod with stranded Cables / round conductors.

Material: Gunmetal, Brass.

CODE NO.	ROD DIA MM	CONDUCTOR RANGE MM <sup>2</sup>
AT-SCE-9.5	9.5	6-35
AT-SCE-14	14.0	16-70
AT-SCE-16	16.0	16-95
AT-SCE-20	20.0	70-120
AT-SCE-25	25.0	70-185



## SPLIT CONNECTOR CLAMP

These clamps are designed to be used with threaded and unthreaded rods, suitable for connection of cable lug to an earth rod.

Material: Gunmetal, Brass.

CODE NO.	ROD SIZE
AT-SCC-9.5	9.5
AT-SCC-14	14.0
AT-SCC-16	16.0
AT-SCC-20	20.0
AT-SCC-25	25.0



## ROD TO TAPE COUPLING

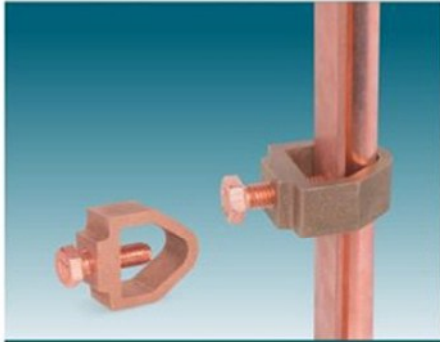
Used with the side mounting brackets or the building in holdfast this unit screws onto the air rod and connects to the tape with fixing screws provided.

Material: Gunmetal, Brass.

CODE NO.	ROD DIA. MM	THREAD DIA.
AT-RTC-14.2	14.2	5/8" or 16 mm
AT-RTC-17.2	17.2	3/4" or 20 mm







### ROD TO TAPE CLAMP (TYPE 'A')

A popular clamp is used for forming a connection between tape and earth rod.

Material : Brass & Gunmetal with M10 x 25 mm Mild Steel Sets Screws.

CODE NO.	ROD DIA MM	TAPE WITH MM
AT-CPA-9.5	9.5	25
AT-CPA-14	14.0	25
AT-CPA-16	16.0	25
AT-CPA-20	20.0	50
AT-CPA-25	25.0	50



### ROD TO CABLE CLAMP (TYPE 'O')

'O' clamps are used for connecting earth rod to standard copper conductor. These durable clamps are resistant to corrosion and ensure a lasting connection.

Material : Brass & Gunmetal with M10 x 25 mm Mild Steel Sets Screws.

CODE NO.	ROD DIA MM	CONDUCTOR RANGE MM'
AT-CPO-16	16	16-70
AT-CPO-20	20	35-95



### ROD TO CABLE CLAMP (TYPE 'G')

'G' clamps are used for connecting earth rod to standard copper conductor. These durable clamps are resistant to corrosion and ensure a lasting connection.

Material : Brass & Gunmetal with M10 x 25 mm Mild Steel Sets Screws.

CODE NO.	ROD DIA MM	CONDUCTOR RANGE MM'
AT-CPG-9.5	9.5	6-35
AT-CPG-14	14.0	16-70
AT-CPG-16	16.0	16-95
AT-CPG-20	20.0	35-120
AT-CPG-25	25.0	70-185



### RE - BAR CLAMP

Provides a heavy-duty connection to rebar. Specifically designed to bond to reinforcing bars (Rebar), the Re-Bras clamp also work with connections to steam pipes, handrails and similar metal structures.

Material : Gunmetal, Brass.

CODE NO.	CONDUCTOR DIA.	PIPE DIA.
AT-RCP-18	8 mm	8-18 mm
AT-RCP-38	8 mm	8-38 mm

# Earthing Accessories

## CLAMPING TWO CABLE TO FLAT BAR

This two cable two flat bar clamp is suitable for cable conductors to steel flat surface with grooving piece in order to cable distortion.

Material : Gunmetal, Brass.

CODE NO.	CONDUCTOR RANGE MM'
AT-CFB-25	25 - 50
AT-CFB-70	70 - 120
AT-CFB-150	150 - 240



## CABLE TO SQUARE JOINT

This four way connection is suitable for crossing over cable making straight through joint or these connections conductors.

Material : Gunmetal, Brass.

CODE NO.	CONDUCTOR SIZE MM'
AT-CSJ-50	50
AT-CSJ-70	70
AT-CSJ-95	95

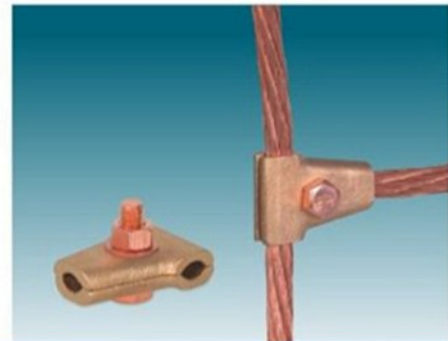


## CABLE TEE CLAMP

This cable tee clamp is used for connect standard copper or solid round copper conductors in tee shape.

Material : Gunmetal, Brass.

CODE NO.	CONDUCTOR SIZE MM'
AT-CTC-50	50
AT-CTC-70	70
AT-CTC-95	95



## HEAVY DUTY CONDUCTOR SADDLE

This heavy duty conductor saddle is used for fixing standard or solid round copper conductors.

Material : Gunmetal, Brass.

CODE NO.	CONDUCTOR SIZE MM'
AT-CDC-25	25-35
AT-CDC-50	50-70
AT-CDC-95	95-120
AT-CDC-150	150-185



Earthing Acce.

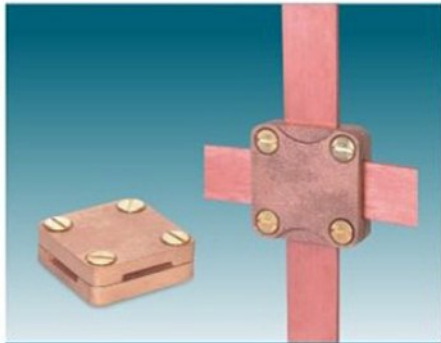


### DC TAPE CLIP

These are used to secure copper tape to the building taps fits into the clip and is secured by two screws. The clip has a hole in the base for fixing to the building with a screw and plug.

**Material:** Gunmetal, Brass & Aluminium

CODE NO.	CONDUCTOR SIZE MM
AT-DTC-20-3	20 x 3
AT-DTC-25-3	25 x 3
AT-DTC-25-6	25 x 6
AT-DTC-31-3	31 x 3
AT-DTC-31-6	31 x 6
AT-DTC-38-3	38 x 3
AT-DTC-38-6	38 x 6
AT-DTC-50-3	50 x 3
AT-DTC-50-6	50 x 6

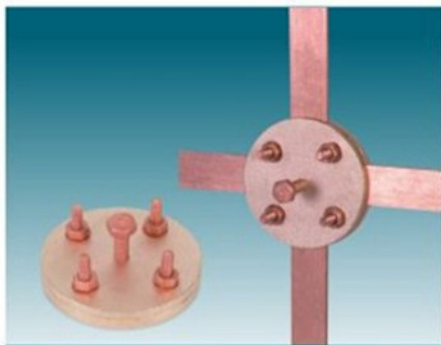


### SQUARE TAPE CLAMP

These four way connectors are suitable for crossing over tapes, making straight joint or T connections in continuous network of tapes. The base has a countersunk hole in the middle for securing the clamp in place; the lid is secured by four screws.

**Material:** Gunmetal, Brass & Aluminium

CODE NO.	CONDUCTOR SIZE MM
AT-STC-25-3	25 x 3
AT-STC-25-6	25 x 6
AT-STC-31-3	31 x 3
AT-STC-38-6	38 x 6
AT-STC-50-3	50 x 3
AT-STC-50-6	50 x 6



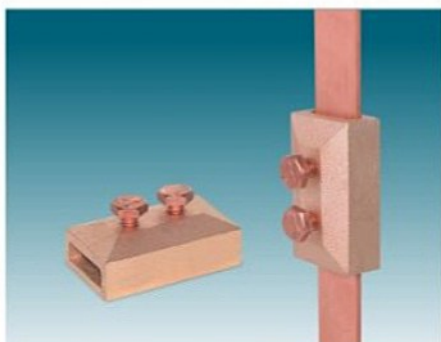
### PLATE TEST CLAMP

This clamp is used to form a disconnection joint between the down conductor system and the earthing system.

The conductors are secured by four bolts attached to the base, the clamp is also suitable for use in heavy duty applications where the conductors up to 50x6 have to be jointed in a crossover or T connection.

**Material:** Gunmetal, Brass.

CODE NO.	CONDUCTOR SIZE MM
AT-PTC-25-3	25 x 3
AT-PTC-50-6	50 x 6



### OBLONG TEST CLAMP

This oblong test clamp is designed to join a range of tape size 20 x 3 to 50 x 6. This clamp can also be used for disconnection the earthing system for testing purposes.

The clamp in many applications allows the conductors to be overlapped and secured by two bolts.

**Material:** Gunmetal, Brass.

CODE NO.	CONDUCTOR SIZE MM
AT-OTC-25-3	25 x 3
AT-OTC-38-6	38 x 6
AT-OTC-50-6	50 x 6



# Earthing Accessories

## TOWER EARTH CLAMP DOUBLE PLATE

This double plate clamp is suitable for bonding copper conductor to steel surfaces in area where a more robust version of the single plate is required such as where cladding may be installed later or the complete clamp will be covered by concrete.

The double plate clamp is fixed by drilling a hole the steelwork and securing with the bolt provided.

**Material:** Gunmetal, Brass.

CODE NO.	CONDUCTOR SIZE MM <sup>2</sup>	CHANNEL THICKNESS MM	BOLT SIZE
AT-TEC-16	16-70	10	M10
AT-TEC-70	70-120	10	M12



## TOWER EARTH CLAMP SINGLE PLATE

This single plate clamp is suitable for bonding copper conductor to steel surfaces in area where the clamp is protected or unlikely to suffer damage.

The single plate clamp is fixed by drilling a hole the steelwork and securing with the bolt provided.

**Material:** Gunmetal, Brass.

CODE NO.	CONDUCTOR SIZE MM <sup>2</sup>	CHANNEL THICKNESS MM	BOLT SIZE
AT-TECS-16	16-70	10	M10
AT-TECS-70	70-120	10	M12



## SCREW DOWN TEST CLAMP

The screw down test clamp allows easy access to copper conductors where frequent inspection or testing may be necessary, the heavy duty lid simply screws on and off the base, the clamp is so simple to unassembled it should not be used at ground level or anywhere within easy reach of the public.

**Material:** Gunmetal, Brass.

CODE NO.	TAPE TYPE
AT-SDC-25	25 x 3



## ROD BRACKETS

Designer frequently wish to affix air rods to the walls of structures to minimise aesthetic impacts upon the horizontal roof surface, the side mounting air rod bracket, accompanied by the rod to tape coupling is the fixing to achieve the sort of installation.

**Material:** Gunmetal, Brass.

CODE NO.	ROD DIA. MM
AT-RB-14	14.2
AT-RB-17	17.2



Earthing Acce.



### TAPE CLIPS

These metal tape clips hold the tape flues to the surface and are fixed using two screws.

Material: Brass / Aluminium.

CODE NO.	TAPE SIZE
AT-TC-20	20 x 3
AT-TC-25	25 x 3
AT-TC-38	38 x 3



### COPPER TAPE CLIPS

An alternative to the DC Clip range these tape clips hold flat conductors to the surface of a structure.

Material: Copper.

CODE NO.	TAPE SIZE
AT-CTC-20	20 x 3
AT-CTC-25	25 x 3
AT-CTC-38	38 x 3



### ONE HOLE CLIPS

The simple clip can be used for fixing conductors.

Material: Copper.

CODE NO.	CONDUCTOR SIZE MM'
AT-HC-25	25 - 70
AT-HC-95	95 - 120
AT-HC-150	150 - 185
AT-HC-240	240 - 300



### C CRIMP CONNECTORS

These range taking connectors are mainly used for tap or parallel connections of copper cable in earthing applications; they must be installed using the appropriate tool and dies.

Material: Extruded Electrolytic Copper.

CODE NO.	CONDUCTOR MINIMUM	MAXIMUM	TYPE
AT-CCC-16	16	35	C
AT-CCC-25	25	35	C
AT-CCC-50	50	70	C
AT-CCC-70	70	70	C
AT-CCC-95	95	120	C
AT-CCC-120	120	240	C
AT-CCC-150	150	240	C

# Earthing Accessories

## B BOND

This bond is used for bonding copper or aluminium tapes to flat metal surfaces.

**Material:** Gunmetal, Brass & Aluminium.

CODE NO.	TAPE WIDTH MM	BOLT SIZE
AT-BB-25	25 x 3	M10



## RWP BOND

This pipe bond can be used on any applications where the tape can be wrapped around circular objects such as pipes or rails.

**Material:** Gunmetal, Brass.

CODE NO.	TAPE WIDTH MM	BOLT SIZE
AT-RWP-25	25 x 3	M10



## WATERMAIN PIPE BOND

This bond is designed to bond metallic pipes into the earthing or lightning protection system.

**Material:** Gunmetal, Brass.

CODE NO.	TAPE SIZE
AT-WPB-25	25 x 3



## EARTH BOSS

The earth boss is designed to provide an earth point on a steel structure, the boss is welded into place.

**Material:** Mild Steel with Stainless Steel Fittings.

CODE NO.	LENGTH MM	DIA MM	THREAD DIA.
AT-EB-30	30	38	3/8"
AT-EB-50	50	50	1/2"





# Earthing Accessories

## B BOND

This bond is used for bonding copper or aluminium tapes to flat metal surfaces.

**Material:** Gunmetal, Brass & Aluminium.

CODE NO.	TAPE WIDTH MM	BOLT SIZE
AT-BB-25	25 x 3	M10



## RWP BOND

This pipe bond can be used on any applications where the tape can be wrapped around circular objects such as pipes or rails.

**Material:** Gunmetal, Brass.

CODE NO.	TAPE WIDTH MM	BOLT SIZE
AT-RWP-25	25 x 3	M10



## WATERMAIN PIPE BOND

This bond is designed to bond metallic pipes into the earthing or lightning protection system.

**Material:** Gunmetal, Brass.

CODE NO.	TAPE SIZE
AT-WPB-25	25 x 3



## EARTH BOSS

The earth boss is designed to provide an earth point on a steel structure, the boss is welded into place.

**Material:** Mild Steel with Stainless Steel Fittings.

CODE NO.	LENGTH MM	DIA MM	THREAD DIA.
AT-EB-30	30	38	3/8"
AT-EB-50	50	50	1/2"





### SPLIT BOLT CONNECTOR

Split bolt connectors are used to secure a wide range of standard copper conductors.

**Material :** Brass.

**Finish :** Natural Brass / Copper Plated Brass/ Tin Plated Brass.

CODE NO.	MAIN CONDUCTOR MM'
AT-SBC-10	10
AT-SBC-16	16
AT-SBC-25	25
AT-SBC-35	35
AT-SBC-50	50
AT-SBC-70	70
AT-SBC-95	95
AT-SBC-120	120
AT-SBC-150	150
AT-SBC-185	185
AT-SBC-240	240



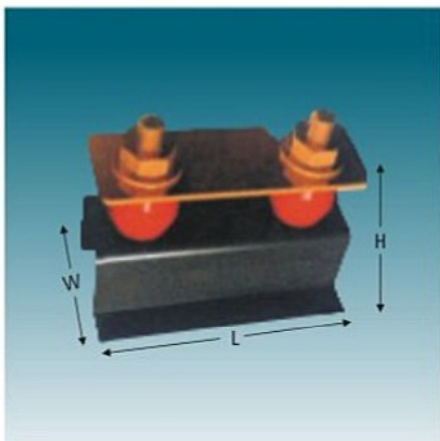
### ALUMINIUM LINK TAP (TYPE 'V')

ALUMINIUM LINK TAP 'V TYPE ' are connection cores of aluminium and copper power cables to busbar, suitable for all kinds of cable cores.

A complete clamp set consists of V TYPE clamp and PV terminal plate. The appropriate combination can be set by the user.

**Material :** Aluminium.

CODE NO.	CABLE MM'
AT-ALV-16	16-25
AT-ALV-35	35-50
AT-ALV-50	50-70
AT-ALV-95	95-100



### DISCONNECTING LINK

The link is mainly used to offer a temporary break in the connection to earth allowing inspection and testing of an earth rod while disconnected from the lightning protection system networks.

**Material bracket:** Zinc Plated Steel.

**Insulators:** Reinforced Polyester with Metal Inserts.

**Earth Bar:** Copper.

CODE NO.	L	W	H
AT-DL-178	178	82	75

# Earthing Accessories

## EARTH BARS

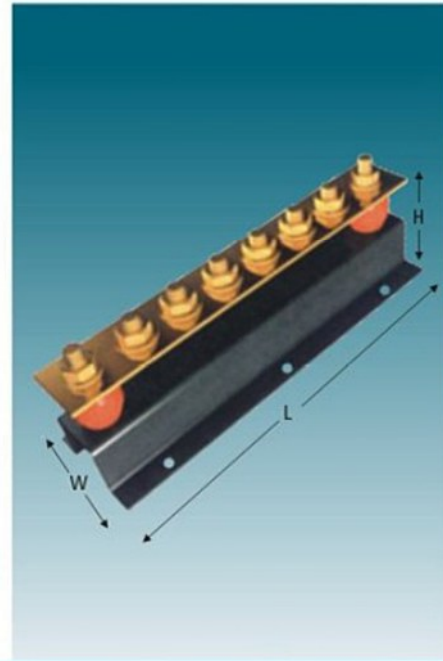
Earth bars are also available for installations within earth housings. Available in various sizes and specifications, with or without disconnecting links.

**Material :** Bar Hard drawn copper bar to BS EN 13601. Base : Plastic.

**Fittings :** M10 head set screws, nuts and washers.

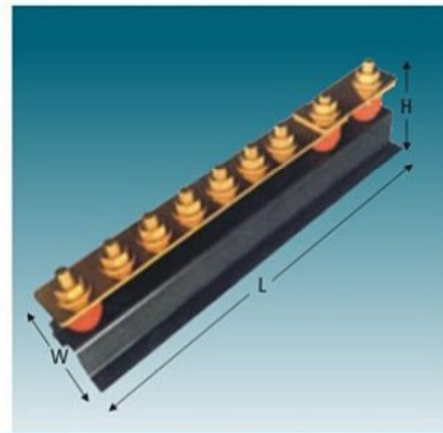
### EARTH BARS

CODE NO.	DESCRIPTION	L	W	H
AT-EB-6	6 Way	400 mm	90 mm	90 mm
AT-EB-8	8 Way	500 mm	90 mm	90 mm
AT-EB-10	10 Way	650 mm	90 mm	90 mm
AT-EB-12	12 Way	750 mm	90 mm	90 mm
AT-EB-14	14 Way	850 mm	90 mm	90 mm
AT-EB-16	16 Way	950 mm	90 mm	90 mm
AT-EB-18	18 Way	1050 mm	90 mm	90 mm
AT-EB-20	20 Way	1200 mm	90 mm	90 mm
AT-EB-22	22 Way	1300 mm	90 mm	90 mm
AT-EB-24	24 Way	1400 mm	90 mm	90 mm
AT-EB-26	26 Way	1500 mm	90 mm	90 mm
AT-EB-28	28 Way	1650 mm	90 mm	90 mm
AT-EB-30	30 Way	1750 mm	90 mm	90 mm



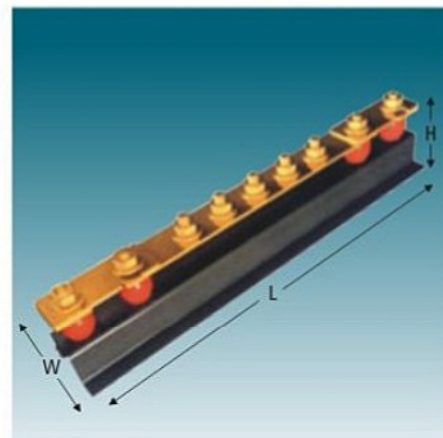
### EARTH BARS WITH SINGLE DISCONNECTING LINK

CODE NO.	DESCRIPTION	L	W	H
AT-EBS-6	6 Way	400 mm	90 mm	96 mm
AT-EBS-8	8 Way	500 mm	90 mm	96 mm
AT-EBS-10	10 Way	650 mm	90 mm	96 mm
AT-EBS-12	12 Way	750 mm	90 mm	96 mm
AT-EBS-14	14 Way	850 mm	90 mm	96 mm
AT-EBS-16	16 Way	950 mm	90 mm	96 mm
AT-EBS-18	18 Way	1050 mm	90 mm	96 mm
AT-EBS-20	20 Way	1200 mm	90 mm	96 mm
AT-EBS-22	22 Way	1300 mm	90 mm	96 mm
AT-EBS-24	24 Way	1400 mm	90 mm	96 mm
AT-EBS-26	26 Way	1500 mm	90 mm	96 mm
AT-EBS-28	28 Way	1650 mm	90 mm	96 mm
AT-EBS-30	30 Way	1750 mm	90 mm	96 mm



### EARTH BARS WITH DOUBLE DISCONNECTING LINK

CODE NO.	DESCRIPTION	L	W	H
AT-EBD-6	6 Way	550 mm	90 mm	96 mm
AT-EBD-8	8 Way	650 mm	90 mm	96 mm
AT-EBD-10	10 Way	800 mm	90 mm	96 mm
AT-EBD-12	12 Way	900 mm	90 mm	96 mm
AT-EBD-14	14 Way	1000 mm	90 mm	96 mm
AT-EBD-16	16 Way	1100 mm	90 mm	96 mm
AT-EBD-18	18 Way	1200 mm	90 mm	96 mm
AT-EBD-20	20 Way	1350 mm	90 mm	96 mm
AT-EBD-22	22 Way	1450 mm	90 mm	96 mm
AT-EBD-24	24 Way	1550 mm	90 mm	96 mm
AT-EBD-26	26 Way	1650 mm	90 mm	96 mm
AT-EBD-28	28 Way	1800 mm	90 mm	96 mm
AT-EBD-30	30 Way	1900 mm	90 mm	96 mm







## EARTH PLATE

These solid copper earth plates are used as part of an earthing network. They provide a long lasting solution where earth rods are unsuitable.

**Material:** Pure Electrolytic Copper.

### SOLID COPPER EARTH PLATES

CODE NO.	PLATE SIZE MM
AT-EP-500-3	500 x 500 x 3
AT-EP-500-5	500 x 500 x 5
AT-EP-600-3	600 x 600 x 3
AT-EP-600-5	600 x 600 x 5
AT-EP-900-3	900 x 900 x 3
AT-EP-900-5	900 x 900 x 5
AT-EP-1000-3	1000 x 1000 x 3
AT-EP-1000-5	1000 x 1000 x 5

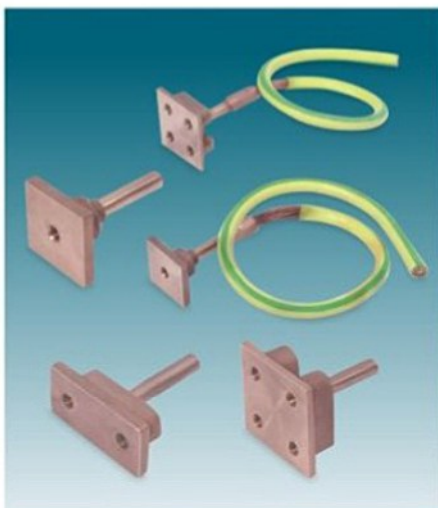


## EARTH LATTICE

These lattice earth mats are a lower cost option to solid copper earth plated and when used with Betonite provide a long lasting earth. Earth mats or plated may be preferred on some telecoms towers where step potential could cause problems.

**Material:** Pure Electrolytic Copper.

CODE NO.	LATTICE SIZE MM	COPPER TAPE SIZE MM	NO. OF STRIPS
AT-EL-5-25-2	500 x 500	25 x 2	10
AT-EL-5-25-3	500 x 500	25 x 3	10
AT-EL-5-25-5	500 x 500	25 x 5	10
AT-EL-6-25-2	600 x 600	25 x 2	10
AT-EL-6-25-3	600 x 600	25 x 3	10
AT-EL-6-25-5	600 x 600	25 x 5	10
AT-EL-9-25-2	900 x 900	25 x 2	10
AT-EL-9-25-3	900 x 900	25 x 3	10
AT-EL-9-25-5	900 x 900	25 x 5	10
AT-EL-10-25-2	1000 x 1000	25 x 2	12
AT-EL-10-25-3	1000 x 1000	25 x 3	12
AT-EL-10-25-5	1000 x 1000	25 x 5	12



## EARTH BONDING POINTS

These earth bonding points are installed to provide earthing continuity and a multiple bonding point. When cast into concrete they connect the re bar to the earthing or lightning protection system, the bonding points are available with one, two, and four hole connections. The bonding points are available with variety of tail lengths to suit different applications.

**Material:** Gunmetal, Brass.

### Bonding Point

CODE NO.	NO. OF HOLES
AT-EBP-1	1
AT-EBP-2	2
AT-EBP-4	4

### Bonding Point with Tail

CODE NO.	NO. OF HOLES
AT-EBPT-1	1
AT-EBPT-2	2
AT-EBPT-4	4

# Earthing Accessories

## CONCRETE EARTH HOUSING

This concrete pit protects and makes available for inspection the earth rod connection. The pit can have an earth bar fitted diagonally across in slots provided for multiple connections.

Material: Concrete.

CODE NO.	L	W	H
AT-CIP-325	325	325	145



## NEUTRAL LINK BAR WITH BASE

Neutral Links/Bars are used as an accessory in Panel Boards & Electrical Board in Industries like Electrical, Electronics & Telecommunications.

Material: Brass with PVC base.

CODE NO.	WAY	SIZE
AT-NLB-7	7	9x6
AT-NLB-10	10	9x6
AT-NLB-13	13	9x6
AT-NLB-72	72	9x6
AT-NLB-144	144	9x6



## EARTH BLOCKS

Brass Earth Blocks are usable Earth Conductor or Line Conductor termination with a suitable, fully insulated housing.

Material: Brass

CODE NO.	WAY	TYPE
AT-EB-4S	4	Single
AT-EB-4D	4	Double
AT-EB-8D	8	Double



## NEUTRAL LINK BAR

Bars have two M 10 hexagon head bolts, for 165 amp cable lugs. All tunnels 6.0 mm diameter with two screws, accommodate up to 16mm 2 cables. Tunnels all numbered.

Material: Brass with MS & Brass Screw

Size : 6 Way to 108 Way

CODE NO.	DOUBLE SCREW TUNNELS	CROSS SECTION (MM)	MAIN STUDS	TUNNELS
AT-NL-6	6 Way	19 x 9.5	M 10	16 mm <sup>2</sup>
AT-NL-9	9 Way	19 x 9.5	M 10	16 mm <sup>2</sup>
AT-NL-12	12 Way	19 x 9.5	M 10	16 mm <sup>2</sup>
AT-NL-18	18 Way	19 x 9.5	M 10	16 mm <sup>2</sup>
AT-NL-24	24 Way	19 x 9.5	M 10	16 mm <sup>2</sup>
AT-NL-30	30 Way	19 x 9.5	M 10	16 mm <sup>2</sup>
AT-NL-36	36 Way	19 x 9.5	M 10	16 mm <sup>2</sup>
AT-NL-42	42 Way	19 x 9.5	M 10	16 mm <sup>2</sup>
AT-NL-48	48 Way	19 x 9.5	M 10	16 mm <sup>2</sup>
AT-NL-60	60 Way	19 x 9.5	M 10	16 mm <sup>2</sup>
AT-NL-72	72 Way	19 x 9.5	M 10	16 mm <sup>2</sup>
AT-NL-84	84 Way	19 x 9.5	M 10	16 mm <sup>2</sup>
AT-NL-96	96 Way	19 x 9.5	M 10	16 mm <sup>2</sup>
AT-NL-108	108 Way	19 x 9.5	M 10	16 mm <sup>2</sup>



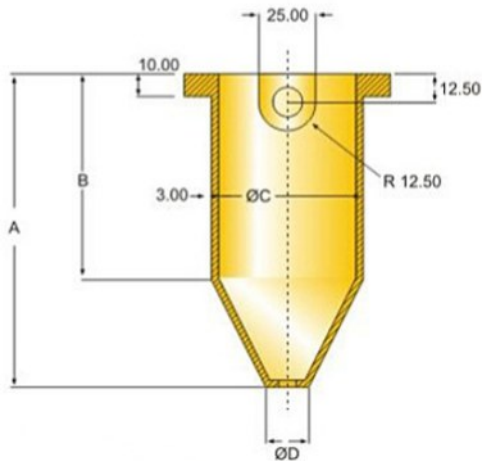
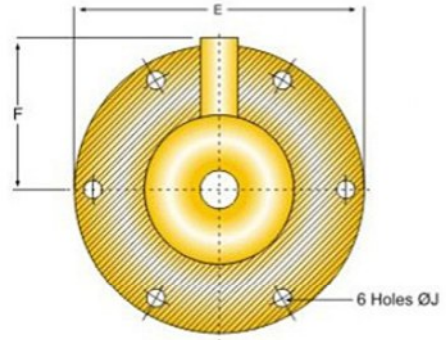
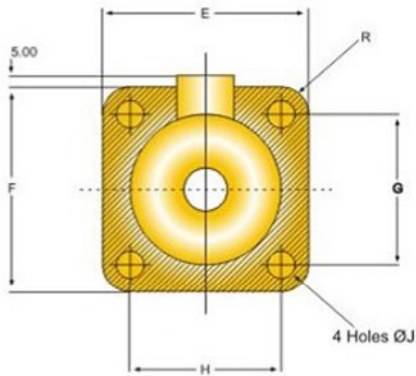


**WIPING GLANDS**

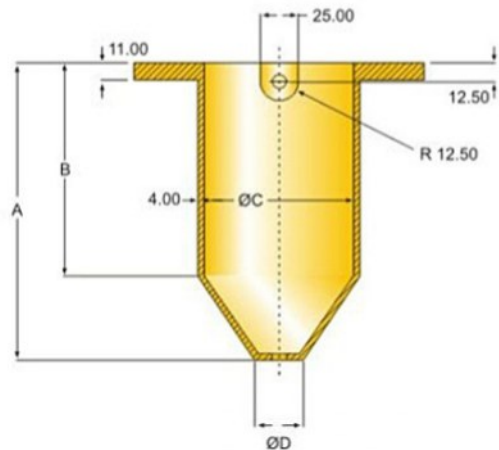
Material : Brass

Finish : Natural

CODE No.	GLAND SIZE	Dia Over Metal Sheath of Cable (mm)	OVERALL DIAMETER 'A'									
			A	B	ØC	ØD	E	F	G	H	ØJ	R
AT-WGX	X	12 to 51	137	90	60	19	90	90	66	66	12	12
AT-WGY	Y	25 to 78	155	95	89	32	114	123	95	86	14	14
AT-WGZ	Z	25 to 94	195	140	108	32	190	100	-	-	14	-



**Gland Size X & Y**



**Gland Size Z**



# Earthing Accessories

## ARMOUR CLAMP

Material : M.S. Zink plated.

Finish : Hot Dipped Galvanized to BS 729

CODE NO.	GLAND SIZE	DIMENSION IN MM		
		A	B	C
AT-AC-X	X	143	118	73
AT-AC-Y	Y	171	146	103
AT-AC-Z	Z	209	185	123



## MANSION CLAMP MALE / FEMALE STAND

Material : Brass

CODE NO.	PIPE SIZE
AT-MCS-15	15 MM
AT-MCS-22	22 MM
AT-MCS-28	28 MM
AT-MCS-35	35 MM
AT-MCS-45	45 MM
AT-MCS-54	54 MM



## BOLIVAR CLAMP

Material : Brass

CODE NO.	PIPE SIZE
AT-BC-15	15 MM
AT-BC-22	22 MM
AT-BC-28	28 MM
AT-BC-35	35 MM
AT-BC-45	45 MM
AT-BC-54	54 MM



## HOSPITAL CLAMP

Material : Brass

CODE NO.	PIPE SIZE
AT-HC-15	15 MM
AT-HC-22	22 MM
AT-HC-28	28 MM
AT-HC-35	35 MM
AT-HC-45	45 MM
AT-HC-54	54 MM



TUBULAR CABLE-LUGS (Regular Type)

Material : E-Copper  
Surface : Tin plated with or without Inspection hole



Cable Lugs

CODE NO.	CONDUCTOR SECTION (MM <sup>2</sup> )	BOLT E	DIMENSIONS (MM)				
			B	D	A	C	L
AT-1.5-4	1.5	M 4	5	8	1.8	3.7	16
AT-1.5-5	1.5	M 5	-	8	-	-	16
AT-1.5-6	1.5	M 6	-	10	-	-	18
AT-2.5-4	2.5	M 4	7	8	2.4	4.0	18
AT-2.5-5	2.5	M 5	-	10	-	-	20
AT-2.5-5	2.5	M 5	-	8	-	-	18
AT-2.5-6	2.5	M 6	-	10	-	-	20
AT-4-5	4	M 5	7	10	3.1	4.8	20
AT-4-6	4	M 6	-	10	-	-	20
AT-4-5	4	M 5	-	9	-	-	20
AT-4-8	4	M 8	-	12	-	-	24
AT-6-5	6	M 5	9	10	3.8	5.5	23
AT-6-6	6	M 6	-	10	-	-	23
AT-6-5	6	M 6	-	12	-	-	27
AT-6-8	6	M 8	-	12	-	-	27
AT-6-10	6	M 10	-	16.8	-	-	33
AT-10-5	10	M 5	9	12	4.5	6.2	25
AT-10-6	10	M 6	-	12	-	-	25
AT-10-8	10	M 8	-	12	-	-	27
AT-10-10	10	M 10	-	19	-	-	33
AT-10-12	10	M 12	-	19	-	-	37
AT-16-5	16	M 5	12	12	5.4	7.1	30
AT-16-6	16	M 6	-	12	-	-	30
AT-16-8	16	M 8	-	12	-	-	32
AT-16-10	16	M 10	-	19	-	-	36
AT-16-12	16	M 12	-	19	-	-	40
AT-20-8	20	M 8	12	12	6.0	7.7	32
AT-25-6	25	M 6	12	13	6.8	8.8	30
AT-25-8	25	M 8	-	16	-	-	37
AT-25-10	25	M 10	-	16	-	-	37
AT-25-12	25	M 12	-	18	-	-	41
AT-35-6	35	M 6	12	15	8.2	10.6	35
AT-35-6	35	M 6	15	15	-	-	38
AT-35-8	35	M 8	12	15	-	-	35
AT-35-8	35	M 8	15	15	-	-	38
AT-35-10	35	M 10	15	15	-	-	40
AT-35-10	35	M 10	12	18	-	-	38
AT-35-10	35	M 10	15	18	-	-	41
AT-35-12	35	M 12	15	20	-	-	45
AT-50-6	50	M 6	16	18	9.5	12.4	43
AT-50-8	50	M 8	-	18	-	-	43
AT-50-10	50	M 10	-	18	-	-	43
AT-50-12	50	M 12	-	20	-	-	48
AT-70-6	70	M 6	18	21	11.2	14.7	50
AT-70-8	70	M 8	-	21	-	-	50
AT-70-10	70	M 10	-	21	-	-	50
AT-70-13	70	M 13	-	21	-	-	50
AT-70-14	70	M 14	-	28	-	-	57
AT-70-16	70	M 16	-	28	-	-	57

CODE NO.	CONDUCTOR SECTION (MM <sup>2</sup> )	BOLT E	DIMENSIONS (MM)				
			B	D	A	C	L
SE - 451	95	M 8	20	25.0	13.5	17.4	55
SE - 452	95	M 10	-	25.0	-	-	55
SE - 453	95	M 12	-	25.0	-	-	55
SE - 454	95	M 14	-	28.0	-	-	61
SE - 455	95	M 16	-	28.0	-	-	61
SE - 456	120	M 8	22	28.0	15.0	19.4	60
SE - 457	120	M 10	-	28.0	-	-	60
SE - 458	120	M 12	-	28.0	-	-	60
SE - 459	120	M 14	-	28.0	-	-	64
SE - 460	120	M 16	-	28.0	-	-	64
SE - 461	150	M 8	26	30.0	16.5	21.2	69
SE - 462	150	M 10	-	30.0	-	-	69
SE - 463	150	M 12	-	30.0	-	-	69
SE - 464	150	M 14	-	30.0	-	-	69
SE - 465	150	M 16	-	30.0	-	-	69
SE - 466	150	M 20	-	34.0	-	-	79
SE - 467	185	M 10	32	34.0	18.5	23.5	78
SE - 468	185	M 12	-	34.0	-	-	78
SE - 469	185	M 14	-	34.0	-	-	78
SE - 470	185	M 16	-	34.0	-	-	78
SE - 471	185	M 20	-	34.0	-	-	78
SE - 472	240	M 10	38	38.0	21.0	26.5	92
SE - 473	240	M 12	-	38.0	-	-	92
SE - 474	240	M 14	-	38.0	-	-	92
SE - 475	240	M 16	-	38.0	-	-	92
SE - 476	240	M 20	-	38.0	-	-	92
SE - 477	300	M 12	42	43.0	23.5	30.0	101
SE - 478	300	M 14	-	43.0	-	-	101
SE - 479	300	M 16	-	43.0	23.5	30.0	101
SE - 480	300	M 20	-	43.0	-	-	101
SE - 481	400	-	44	50.1	26.8	34.8	114
SE - 482	400	M 12	-	50.1	-	-	114
SE - 483	400	M 14	-	50.1	-	-	114
SE - 484	400	M 14	-	50.1	-	-	114
SE - 485	400	M 16	-	50.1	-	-	114
SE - 486	400	M 16	-	50.1	-	-	105
SE - 487	400	M 20	-	50.1	-	-	105
SE - 488	400	M 20	-	50.1	-	-	114
SE - 489	500	-	48	56.0	30.0	39.0	124
SE - 490	500	M 20	52	59.5	31.7	41.4	132
SE - 491	500	M 16	48	56.0	30.0	39.0	124
SE - 492	500	M 20	48	56.0	30.0	39.0	124
SE - 493	630	M 16	56	65.0	35.0	45.0	144
SE - 494	630	M 20	-	65.0	-	-	144
SE - 495	630	-	-	65.0	-	-	144
SE - 496	630	M 20	70	59.0	34.0	40.2	145
SE - 497	630	-	-	59.0	-	-	145
SE - 498	630	-	-	59.6	-	-	145
SE - 499	800	-	78	72.9	39.0	50.6	170
SE - 500	1000	-	90	80.8	43.0	56.2	200

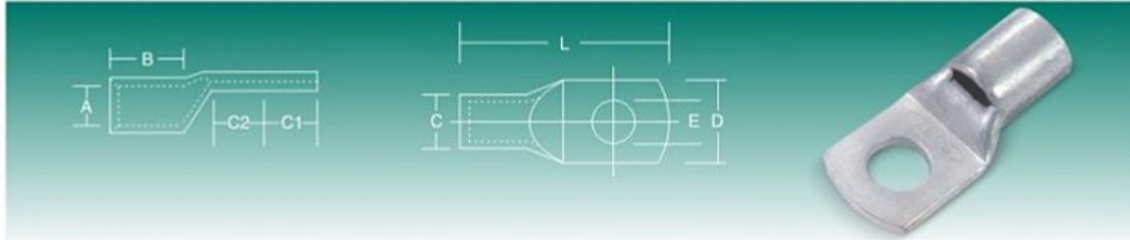


# Cable Lugs

## TUBULAR CABLE-LUGS (Standard Type)

Material : E-Copper

Surface : Tin plated with or without Inspection hole

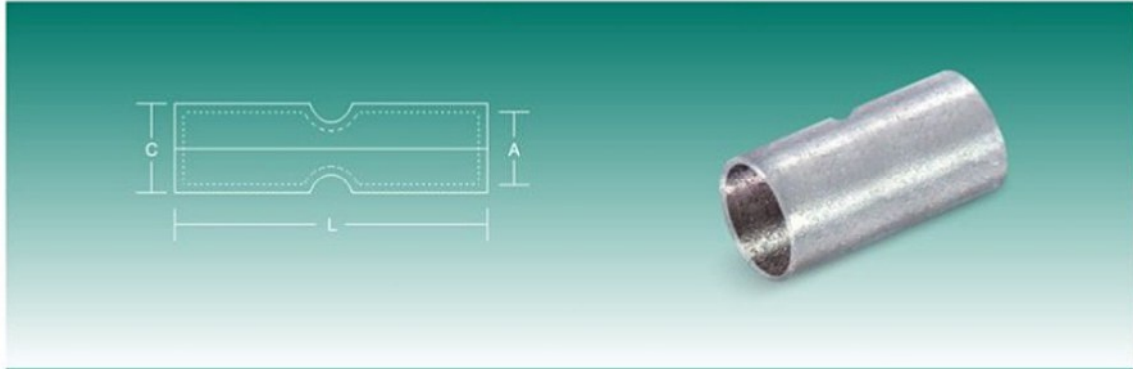


CODE NO.	CONDUCTOR SECTION (MM <sup>2</sup> )	BOLT	DIMENSIONS (MM)								
			A	B	D	E	C	C1	C2	L	
AT-6-5	6	M 5	3.5	9	10	5.5	6.5	6.5	7.5	21	
AT-6-6	6	M 6			12	6.5		6.5	7.5	21	
AT-6-8	6	M 8			15	8.5		10	10	23	
AT-6-10	6	M 10			17	10.5		12	12	25	
AT-6-12	6	M 12			19	13		13	13	28	
AT-10-5	10	M 5	4.5	10	12	5.5	7	6.5	7.5	22	
AT-10-6	10	M 6			12	6.5		6.5	7.5	22	
AT-10-8	10	M 8			15	8.5		10	10	25	
AT-10-10	10	M 10			17	10.5		12	12	27	
AT-10-12	10	M 12			19	13		13	13	29	
AT-16-5	16	M 5	5.5	13	12	5.5	8.5	5.5	6.5	26	
AT-16-6	16	M 6			12	6.5		6.25	7.5	27	
AT-16-8	16	M 8			15	8.5		8.5	9.5	29	
AT-16-10	16	M 10			17	10.5		10.5	11.5	31	
AT-16-12	16	M 12			19	13		12	13	33	
AT-25-5	25	M 5	7	15	14	5.5	10	7.5	7.5	30	
AT-25-6	25	M 6			14	6.5		7.5	7.5	30	
AT-25-8	25	M 8			16	8.5		10	10	32	
AT-25-10	25	M 10			18	10.5		12	12	34	
AT-25-12	25	M 12			19	13		13	13	35	
AT-25-14	25	M 14			21	15		14.5	14.5	38	
AT-35-6	35	M 6	8.5	17	17	6.5	12	7.5	7.5	32	
AT-35-8	35	M 8			17	8.5		10	10	34	
AT-35-10	35	M 10			19	10.5		12	12	37	
AT-35-12	35	M 12			21	13		13	13	38	
AT-35-14	35	M 14			21	15		14.5	14.5	40	
AT-35-16	35	M 16			26	17		16	16	42	
AT-50-6	50	M 6	10	19	20	6.5	14	10	10	37	
AT-50-8	50	M 8			20	8.5		10	10	37	
AT-50-10	50	M 10			20	10.5		12	12	39	
AT-50-12	50	M 12			23	13		13	13	43	
AT-50-14	50	M 14			23	15		14.5	14.5	45	
AT-50-16	50	M 16			28	17		16	16	46	
AT-50-20	50	M 20			30	21		19	19	48	

CODE NO.	CONDUCTOR SECTION (MM <sup>2</sup> )	BOLT	DIMENSIONS (MM)									
			A	B	D	E	C	C1	C2	L		
AT-70-6	70	M 6	12	21	20	6.5	16.5	10	10	43		
AT-70-8	70	M 8			23	8.5		10	10	43		
AT-70-10	70	M 10			23	10.5		12	12	44		
AT-70-12	70	M 12			23	13		13	13	46		
AT-70-14	70	M 14			23	15		14.5	14.5	48		
AT-70-16	70	M 16			28	17		16	16	50		
AT-70-20	70	M 20			30	21		19	19	53		
AT-95-8	95	M 8	13.5	25	26	8.5	18	12	12	48		
AT-95-10	95	M 10			26	10.5		12	12	48		
AT-95-12	95	M 12			26	13		13	13	49		
AT-95-14	95	M 14			26	15		14.5	14.5	51		
AT-95-16	95	M 16			28	17		16	16	54		
AT-95-20	95	M 20			36	21		22	22	60		
AT-120-8	120	M 8	15	26	28	8.5	19.5	14	14	51		
AT-120-10	120	M 10			28	10.5		14	14	51		
AT-120-12	120	M 12			28	13		14	14	51		
AT-120-14	120	M 14			28	15		15	15	52		
AT-120-16	120	M 16			30	17		16	16	54		
AT-120-20	120	M 20			36	21		22	22	63		
AT-150-8	150	M 8	16.5	30	31	8.5	21	14	14	56		
AT-150-10	150	M 10			31	10.5		14	14	56		
AT-150-12	150	M 12			31	13		15	15	57		
AT-150-14	150	M 14			31	15		15	15	57		
AT-150-16	150	M 16			31	17		16	16	58		
AT-150-20	150	M 20			36	21		22	22	66		
AT-185-10	185	M 10	19	30	35	10.5	24	18	18	65		
AT-185-12	185	M 12			35	13		18	18	65		
AT-185-14	185	M 14			35	15		18	18	65		
AT-185-16	185	M 16			35	17		18	18	65		
AT-185-20	185	M 20			39	21		22	22	69		
AT-240-10	240	M 10	21	35	39	10.5	26	21.5	19	72		
AT-240-12	240	M 12			39	13		21.5	19	72		
AT-240-14	240	M 14			39	15		21.5	19	72		
AT-240-16	240	M 16			39	17		21.5	19	72		
AT-240-20	240	M 20			39	21		21.5	19	72		
AT-300-12	300	M 12	23.5	44	43	13	29.5	24	24	87		
AT-300-14	300	M 14			43	15		24	24	87		
AT-300-16	300	M 16			43	17		24	24	87		
AT-300-20	300	M 20			43	21		24	24	87		
AT-400-12	400	M 12	27	44	49	13	34	24	24	90		
AT-400-14	400	M 14			49	15		24	24	90		
AT-400-16	400	M 16			49	17		24	24	90		
AT-400-20	400	M 20			49	21		24	24	90		



**COPPER IN-LINE CONNECTORS (Barrier Type)**



For straight through joints for copper conductor  
**Material : E-copper Brass**

Cable Lugs

CODE NO.	SIZE (MM <sup>2</sup> )	DIMENSIONS (MM)		
		A	C	L
AT-CON-1.5	1.5	1.8	3.7	12
AT-CON-2.5	2.5	2.4	4.0	15
AT-CON-4	4.0	3.1	4.8	15
AT-CON-6	6.0	3.8	5.5	15
AT-CON-10	10.0	4.5	6.2	20
AT-CON-16	16.0	5.4	7.1	20
AT-CON-20	20.0	6.0	7.7	20
AT-CON-25	25.0	6.8	8.8	32
AT-CON-35	35.0	8.2	10.6	36
AT-CON-50	50.0	9.5	12.4	40
AT-CON-70	70.0	11.2	14.7	40
AT-CON-95	95.0	13.5	17.4	45
AT-CON-120	120.0	15.0	19.4	45
AT-CON-150	150.0	16.5	21.2	55
AT-CON-185	185.0	18.5	23.5	65
AT-CON-240	240.0	21.0	26.5	80
AT-CON-300	300.0	23.5	30.0	85
AT-CON-400	400.0	26.8	34.4	91
AT-CON-500	500.0	30.0	39.0	100
AT-CON-630	630.0	35.0	45.0	112
AT-CON-800	800.0	39.0	50.6	150
AT-CON-1000	1000.0	43.0	56.2	170

# Cable Lugs

## MECHANICAL CABLE LUGS (Bolted with 2 Screws & 4 Screws)



Material : Brass  
 Finish : Electro Tinned  
 Screws : Zinc Plated Steel

CODE NO.	CABLE MM <sup>2</sup>	TYPE	SCREW SIZE	CONNECTORS AREA
AT-MCL-10	10.0	2 Bolt	M-5	4.0
AT-MCL-16	16.0	2 Bolt	M-5	5.1
AT-MCL-25	25.0	2 Bolt	M-5	6.3
AT-MCL-35	35.0	2 Bolt	M-5	7.5
AT-MCL-50	50.0	4 Bolt	M-6	9.5
AT-MCL-75	75.0	4 Bolt	M-6	11.0
AT-MCL-100	100.0	4 Bolt	M-6	13.0
AT-MCL-120	120.0	4 Bolt	M-6	14.0
AT-MCL-170	170.0	4 Bolt	M-8	16.0
AT-MCL-200	200.0	4 Bolt	M-8	17.0
AT-MCL-240	240.0	4 Bolt	M-8	18.0
AT-MCL-300	300.0	4 Bolt	M-10	21.0



# Conduit Fittings

**WATERPROOF BRASS JUNCTION BOX** (Materials : Brass Casted) (Finishes : Brass Mate Finishes)  
**BRASS CONDUITS FITTINGS** (Materials : Brass) (Use : Flexible Conduit Fitting)







# AQUATEC INDIA

📍 A103, Classic-Corner, 133 Hill Road, Bandra West. Mumbai 400 050. INDIA.

☎ +91-22-26410733 / 34 (INDIA) +1-732-2530093 (USA)

✉ sales@aquatecindia.in 🌐 www.aquatecindia.in

